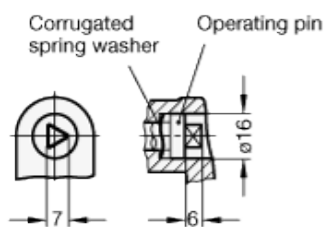
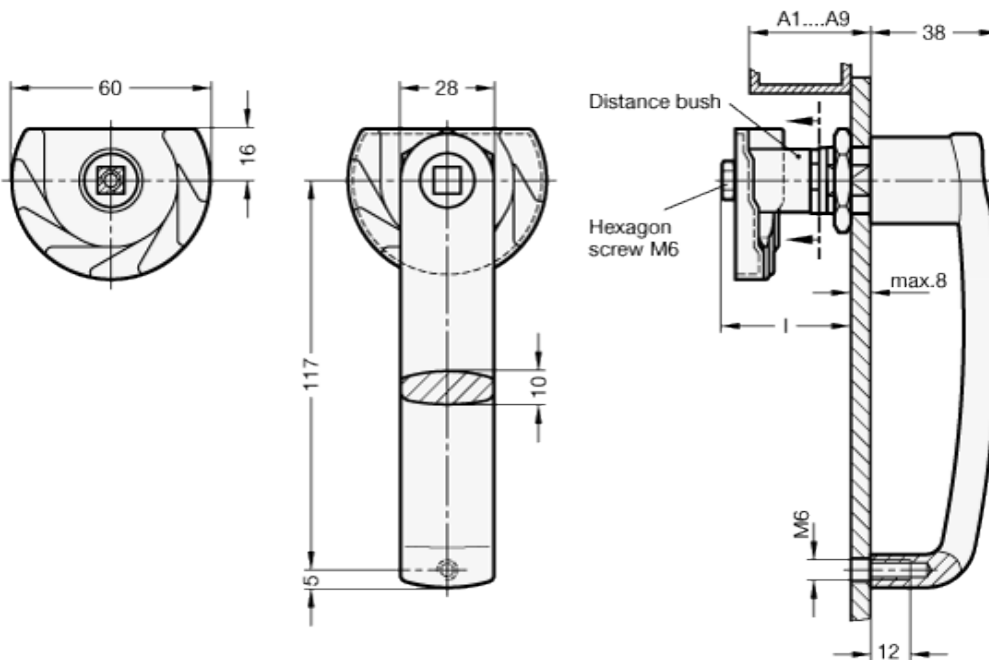
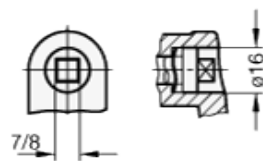


GN 119.3

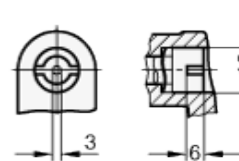
Latches with handle



Type DK



Type VK7/VK8



Type VDE



Zinc alloy die-cast.

- Version SW: RAL 9005 black colour, matte finish epoxy resin coating.
- Version SR: RAL 9006 silver colour, matte finish, epoxy resin coating.

Cam

Sheet steel zinc-plated, blue passivated.

Distance piece

Aluminium.

Other parts

Zinc-plated steel, blue passivated.

Standard versions available

- Type DK: Operation with triangular spindle (DK7).
- Type VK7: Operation with square spindle A/F7.
- Type VK8: Operation with square spindle A/F8.
- Type VDE: Operation with double bit.

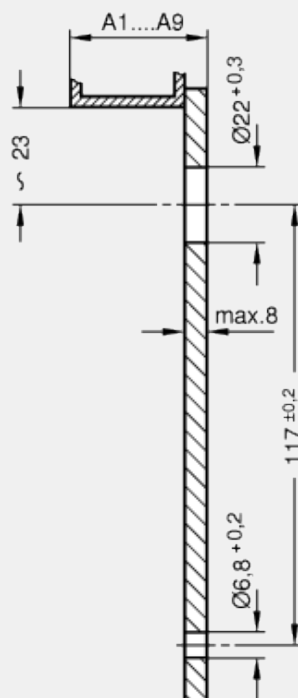
Accessories on request

- Key GN 119.2.

Technical and assembly instructions

By turning the latch clockwise, the stepped door locking bar engages behind the door frame and pulls the door shut. The large tractive range of 10 mm also allows doors with sealing strips to be locked without any problems. When selecting the clamping range A, the sealing strip may have to be taken into account. For mounting, the door is fitted with two bore holes as shown in the outline drawing opposite, attached at a distance of 23 mm from the door frame.

The spigot (M22x1.5) has 4 surfaces, allowing the handle also to be used with the standard bore holes of door latches GN 119. The locking enclosure with the preassembled operating bolt is pushed through from the front and fixed in place with the hexagonal nut. The distance sleeve and the door locking bar is then plugged on at the back and fixed in place with the hexagonal screw.



Features and applications

Latches with handle GN 119.3 are used when the application requires both a locking mechanism and a handle. The handle with integrated lock is an attractively designed and cost-effective solution. The locking mechanisms have a draw-in range of 10 mm. The unit is locked by turning clockwise.

Standard Elements	Main dimensions		Weight
	Description	A1...A9	l
GN 119.3-DK-A1-SW	17 ... 25	28	424
GN 119.3-VK7-A1-SW	17 ... 25	28	425
GN 119.3-VK8-A1-SW	17 ... 25	28	426
GN 119.3-VDE-A1-SW	17 ... 25	28	430
GN 119.3-DK-A2-SW	22 ... 30	33	431
GN 119.3-VK7-A2-SW	22 ... 30	33	432
GN 119.3-VK8-A2-SW	22 ... 30	33	435
GN 119.3-VDE-A2-SW	22 ... 30	33	437
GN 119.3-DK-A3-SW	27 ... 35	38	441
GN 119.3-VK7-A3-SW	27 ... 35	38	444
GN 119.3-VK8-A3-SW	27 ... 35	38	445
GN 119.3-VDE-A3-SW	27 ... 35	38	447
GN 119.3-DK-A4-SW	32 ... 40	43	453
GN 119.3-VK7-A4-SW	32 ... 40	43	455
GN 119.3-VK8-A4-SW	32 ... 40	43	454
GN 119.3-VDE-A4-SW	32 ... 40	43	456
GN 119.3-DK-A5-SW	37 ... 45	48	465
GN 119.3-VK7-A5-SW	37 ... 45	48	466
GN 119.3-VK8-A5-SW	37 ... 45	48	466
GN 119.3-VDE-A5-SW	37 ... 45	48	469
GN 119.3-DK-A6-SW	42 ... 50	53	473
GN 119.3-VK7-A6-SW	42 ... 50	53	474
GN 119.3-VK8-A6-SW	42 ... 50	53	476
GN 119.3-VDE-A6-SW	42 ... 50	53	479
GN 119.3-DK-A7-SW	47 ... 55	58	485
GN 119.3-VK7-A7-SW	47 ... 55	58	486
GN 119.3-VK8-A7-SW	47 ... 55	58	487
GN 119.3-VDE-A7-SW	47 ... 55	58	489
GN 119.3-DK-A8-SW	52 ... 60	63	495
GN 119.3-VK7-A8-SW	52 ... 60	63	496
GN 119.3-VK8-A8-SW	52 ... 60	63	497
GN 119.3-VDE-A8-SW	52 ... 60	63	501
GN 119.3-DK-A9-SW	57 ... 65	68	507
GN 119.3-VK7-A9-SW	57 ... 65	68	506
GN 119.3-VK8-A9-SW	57 ... 65	68	509
GN 119.3-VDE-A9-SW	57 ... 65	68	510
GN 119.3-DK-A1-SR	17... 25	28	424
GN 119.3-VK7-A1-SR	17 ... 25	28	419
GN 119.3-VK8-A1-SR	17 ... 25	28	425
GN 119.3-VDE-A1-SR	17... 25	28	426

GN 119.3-DK-A2-SR	22 ... 30	33	431
GN 119.3-VK7-A2-SR	22 ... 30	33	432
GN 119.3-VK8-A2-SR	22 ... 30	33	435
GN 119.3-VDE-A2-SR	22 ... 30	33	437
GN 119.3-DK-A3-SR	27 ... 35	38	441
GN 119.3-VK7-A3-SR	27 ... 35	38	444
GN 119.3-VK8-A3-SR	27 ... 35	38	445
GN 119.3-VDE-A3-SR	27 ... 35	38	447
GN 119.3-DK-A4-SR	32 ... 40	47	453
GN 119.3-VK7-A4-SR	32 ... 40	47	455
GN 119.3-VK8-A4-SR	32 ... 40	47	454
GN 119.3-VDE-A4-SR	32 ... 40	47	456
GN 119.3-DK-A5-SR	37 ... 45	48	465
GN 119.3-VK7-A5-SR	37 ... 45	48	466
GN 119.3-VK8-A5-SR	37 ... 45	48	466
GN 119.3-VDE-A5-SR	37 ... 45	48	469
GN 119.3-DK-A6-SR	42 ... 50	48	473
GN 119.3-VK7-A6-SR	42 ... 50	53	474
GN 119.3-VK8-A6-SR	42 ... 50	53	476
GN 119.3-VDE-A6-SR	42 ... 50	53	479
GN 119.3-DK-A7-SR	47 ... 55	58	485
GN 119.3-VK7-A7-SR	47 ... 55	58	486
GN 119.3-VK8-A7-SR	47 ... 55	58	487
GN 119.3-VDE-A7-SR	47 ... 55	58	489
GN 119.3-DK-A8-SR	52 ... 60	63	495
GN 119.3-VK7-A8-SR	52 ... 60	63	496
GN 119.3-VK8-A8-SR	52 ... 60	63	497
GN 119.3-VDE-A8-SR	52 ... 60	58	501
GN 119.3-DK-A9-SR	57 ... 65	68	507
GN 119.3-VK7-A9-SR	57 ... 65	68	506
GN 119.3-VK8-A9-SR	57 ... 65	68	509
GN 119.3-VDE-A9-SR	57 ... 65	68	510



STANDARD MACHINE ELEMENTS WORLDWIDE