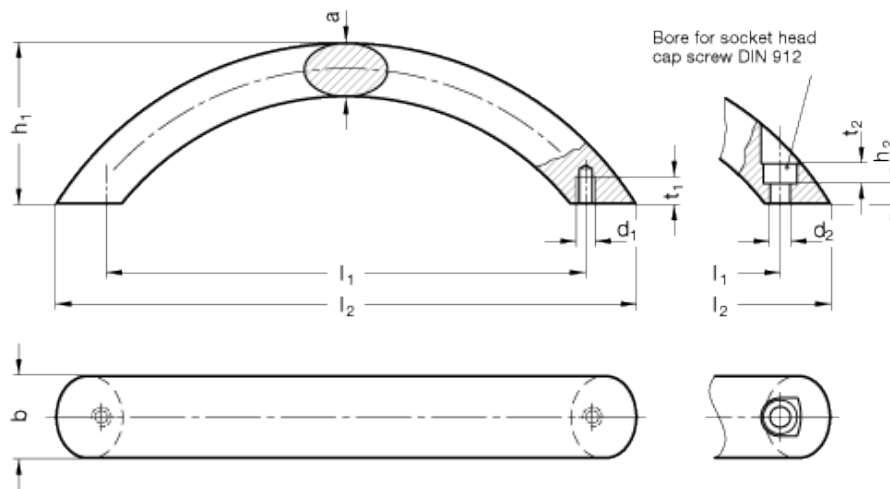


# GN 565.9

Arch handles



INOX  
Stainless Steel



## technical informations

### Material

AISI 304 stainless steel, matt shot blasted MT.

### Standard versions available

- Type A: back mounting, tapped blind holes.
- Type B: front mounting, through holes for cylindrical head screws with hexagon socket, DIN 912.

### Special executions on request (For sufficient quantities)

Different lengths.

### Features and applications

The manufacturing process (bending) allows the production of special lengths in relatively small quantities.

Standard Elements

Main dimensions

Mounting holes

Weight

| Description          | b  | $l_1 \pm 0.25$ | $l_2 \approx$ | a  | $h_1$ | $d_1$ | $d_2$ | $h_2$ | $t_1 \text{ min.}$ | $t_2$ | g   |
|----------------------|----|----------------|---------------|----|-------|-------|-------|-------|--------------------|-------|-----|
| GN 565.9-160-20-A-MT | 20 | 160            | 185           | 13 | 51    | -     | 5.3   | -     | 8.5                | -     | 318 |
| GN 565.9-160-20-B-MT | 20 | 160            | 185           | 13 | 51    | M6    | -     | 5     | -                  | 5     | 306 |
| GN 565.9-192-20-A-MT | 20 | 192            | 221           | 13 | 51    | -     | 5.3   | -     | 8.5                | -     | 366 |
| GN 565.9-192-20-B-MT | 20 | 192            | 221           | 13 | 51    | M6    | -     | 5     | -                  | 5     | 350 |



ELESA and GANTER models all rights reserved in accordance with the law. Always mention the source when reproducing our drawings.

**STANDARD MACHINE ELEMENTS WORLDWIDE**