

IRS.820

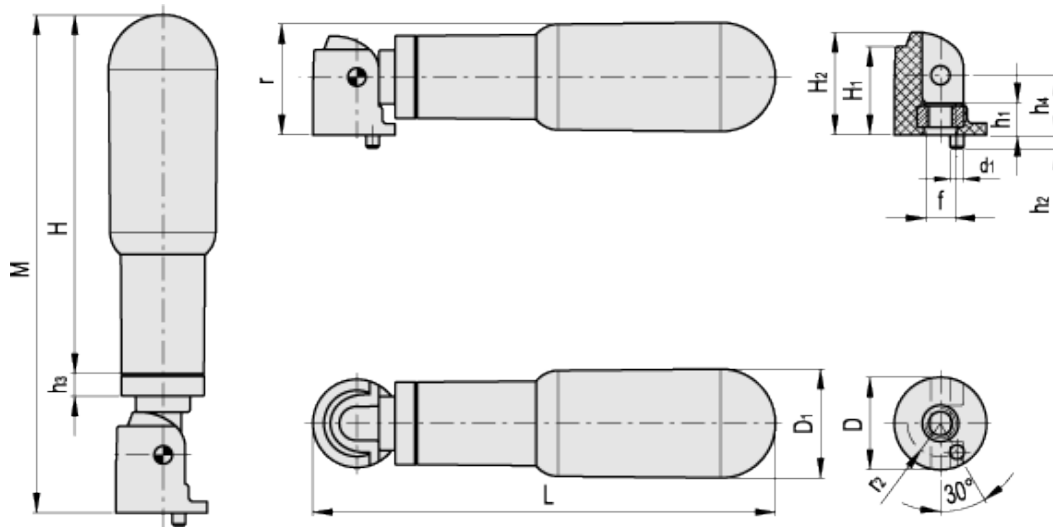


Two volume safety fold-away handles "Fold-O-matic"®



ELESA Original design

INOX
Stainless Steel



technical informations

Material

Glass-fibre reinforced polyamide based (PA) technopolymer handle. Resistant to solvents, oils, greases and other chemical agents.

Colour

Black, matte finish.

Standard executions

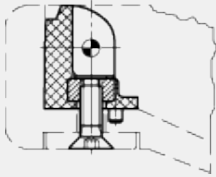
- IRS.820: black-oxide steel stud, glass-fibre reinforced technopolymer flat base for embedded mounting, black colour, black-oxide steel screw.
- IRS.820-SST: AISI 303 stainless steel double guide stud, glass-fibre reinforced technopolymer flat base for embedded mounting, black colour, AISI 303 stainless steel screw.

Features and applications

Handle pivots freely during operation: a system of coaxial bushings compensates return spring load.

The safety fold-away handle (ELESA patent) is provided with a special return mechanism "Fold-O-Matic"® which automatically folds the handle into the retracted position when the operation has been completed. A light pressure on the handle in the direction of the handwheel axes is enough to bring it in the operation position, allowing the operator to turn the handwheel freely.

Normal assembly example
with embedded base



Standard Elements		Main dimensions											Mounting hole		Dowel			Weight
Code	Description	H	L	M	D	D ₁	H ₁	H ₂	r	h ₃	h ₄	f	h ₁	d ₁	h ₂	r ₂	g	
28491	IRS.820/65 FOLD-O-MATIC	65	88	95	20	22	19	22	24	4	13	M6	7	3	3	7	73	
28492	IRS.820/80 FOLD-O-MATIC	80	103	110	20	24	19	22	25	4	13	M6	7	3	3	7	80	
28493	IRS.820/90 FOLD-O-MATIC	90	112	119	20	25	19	22	26	4	13	M6	7	3	3	7	87	

Standard Elements		Main dimensions											Mounting hole		Dowel			Weight
Code	Description	H	L	M	D	D ₁	H ₁	H ₂	r	h ₃	h ₄	f	h ₁	d ₁	h ₂	r ₂	g	
28496	IRS.820/65 FOLD-O-MATIC-SST	65	88	95	20	22	19	22	24	4	13	M6	7	3	3	7	73	
28497	IRS.820/80 FOLD-O-MATIC-SST	80	103	110	20	24	19	22	25	4	13	M6	7	3	3	7	80	
28498	IRS.820/90 FOLD-O-MATIC-SST	90	112	119	20	25	19	22	26	4	13	M6	7	3	3	7	87	



ELESA and GANTER models all rights reserved in accordance with the law. Always mention the source when reproducing our drawings.

STANDARD MACHINE ELEMENTS WORLDWIDE