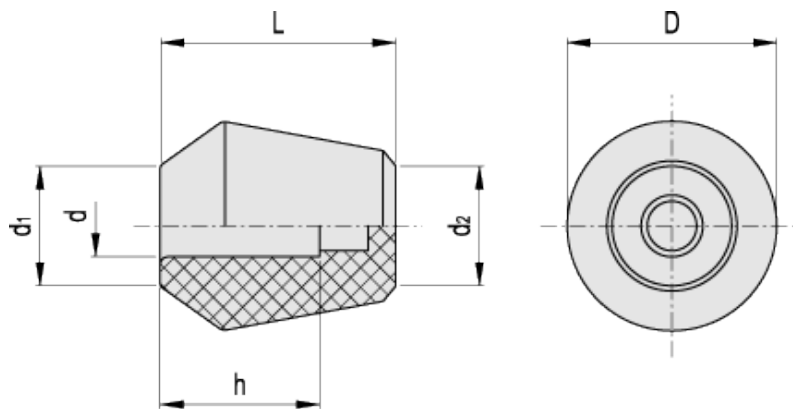


P.390

Handles



ELESA Original design



technical informations

Material

Phenolic based (PF) Duroplast. Resistant to solvents, oils, greases and other chemical agents.

Colour

Black, glossy finish.

Standard execution

Plain blind hole.

The elastic coupling, by press-fit assembly on h9 tolerance drawn stock bars, is not affected by vibrations and prevents the handle from slipping off (see [Technical Data](#)).

Assembly instructions

Fit the handle onto slight chamfered shaft end and push as far as possible by hand or by means of a small press. Alternatively it is possible to tap the handle slightly with a plastic or wooden mallet until firmly in place. In this case we strongly recommend to use a cloth or other suitable soft material over the product to avoid any surface damage.

Standard Elements		Main dimensions				Mounting hole		Weight
Code	Description	D	L	d ₁	d ₂	d	h	g
47011	P.390/25-8	25	28	15	16	8	14	12
47111	P.390/30-10	30	34	18	19	10	19	20
47211	P.390/35-12	35	39	20	22	12	21	32
47311	P.390/40-14	40	45	23	25	14	24	47



ELESA and GANTER models all rights reserved in accordance with the law. Always mention the source when reproducing our drawings.

STANDARD MACHINE ELEMENTS WORLDWIDE