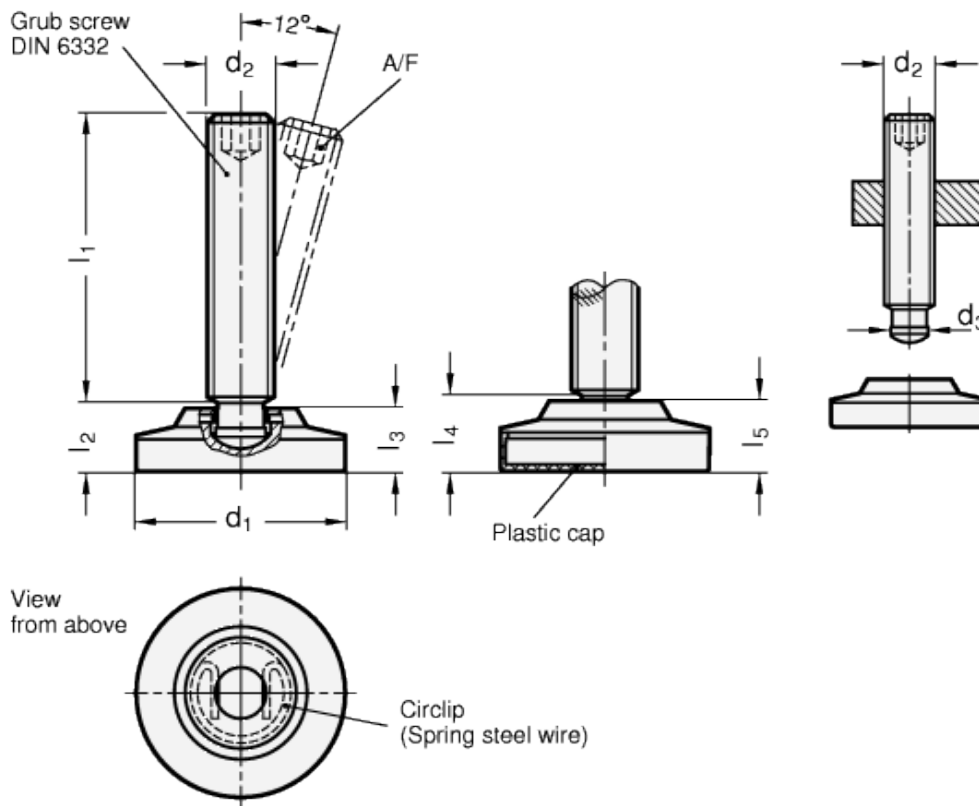


GN 6311.4

Levelling elements



technical informations

Base

Zinc-plated steel (tensile strength 500 N/mm²), blue passivated.

Plastic caps

- Type KS: technopolymer Polvacetal (POM), white natural colour, sliding.

- Type KR: elastomer (TPE), 78 Shore A \approx , black colour.

Standard versions available

- Version OS: without plastic cap.
- Version KS: with plastic cap, gliding.
- Version KR: with plastic cap, non-gliding.

Accessories on request

Foot GN 6311.3 (without grub screw DIN 6332).

Features and applications

Levelling element GN 6311.4 are normally used when a thread is present at the machine side to adjust the height. The pin diameter d_3 is smaller than the core diameter of the thread, with the effect that the screw can be turned in at the pin. The pressure pin is easily inserted into the plate, with the retaining ring ensuring that the assembly is secure in axial direction.

The static load of the levelling element GN 6311.4 is limited by the load capacity of the grub screw (Tensile strength class 5.8). The static load values (only valid for Type OS/KS) in the above table refer to a net vertical load in relation to the ball socket. Under normal operating conditions side loading or angular loading is not uncommon and the load capacity would be considerably reduced which must be taken into consideration.

Standard Elements	Main dimensions						Threaded stem		Wrench	Static load in kN #	Weight	
	Description	d_1	d_3	l_2	l_3	l_4	l_5	d_2	l_1		sw	g
GN 6311.4-50-M12-41-KR	50	8	-	11.5	-	13	M12	41	6	6	13	140
GN 6311.4-50-M12-51-KR	50	8	-	11.5	-	13	M12	51	6	6	13	150
GN 6311.4-50-M12-61-KR	50	8	-	11.5	-	13	M12	61	6	6	13	160
GN 6311.4-50-M12-71-KR	50	8	-	11.5	-	13	M12	71	6	6	13	170
GN 6311.4-50-M12-91-KR	50	8	-	11.5	-	13	M12	91	6	6	13	180
GN 6311.4-50-M16-59-KR	50	12	-	13.5	-	15	M16	59	8	8	30	200
GN 6311.4-50-M16-69-KR	50	12	-	13.5	-	15	M16	69	8	8	30	220
GN 6311.4-50-M16-89-KR	50	12	-	13.5	-	15	M16	89	8	8	30	235
GN 6311.4-50-M16-114-KR	50	12	-	13.5	-	15	M16	114	8	8	30	260
GN 6311.4-60-M16-59-KR	60	12	-	13.5	-	15	M16	59	8	8	30	271
GN 6311.4-60-M16-69-KR	60	12	-	13.5	-	15	M16	69	8	8	30	280
GN 6311.4-60-M16-89-KR	60	12	-	13.5	-	15	M16	89	8	8	30	328
GN 6311.4-60-M16-114-KR	60	12	-	13.5	-	15	M16	114	8	8	30	340
GN 6311.4-60-M20-78-KR	60	15.5	-	15.5	-	17	M20	78	10	10	50	380
GN 6311.4-60-M20-88-KR	60	15.5	-	15.5	-	17	M20	88	10	10	50	395
GN 6311.4-60-M20-113-KR	60	15.5	-	15.5	-	17	M20	113	10	10	50	410
GN 6311.4-60-M20-138-KR	60	15.5	-	15.5	-	17	M20	138	10	10	50	440
GN 6311.4-50-M12-41-KS	50	8	-	11.5	-	13	M12	41	6	6	13	150
GN 6311.4-50-M12-51-KS	50	8	-	11.5	-	13	M12	51	6	6	13	162
GN 6311.4-50-M12-61-KS	50	8	-	11.5	-	13	M12	61	6	6	13	169
GN 6311.4-50-M12-71-KS	50	8	-	11.5	-	13	M12	71	6	6	13	175
GN 6311.4-50-M12-91-KS	50	8	-	11.5	-	13	M12	91	6	6	13	180
GN 6311.4-50-M16-59-KS	50	12	-	13.5	-	15	M16	59	8	8	30	208
GN 6311.4-50-M16-69-KS	50	12	-	13.5	-	15	M16	69	8	8	30	232
GN 6311.4-50-M16-89-KS	50	12	-	13.5	-	15	M16	89	8	8	30	258
GN 6311.4-50-M16-114-KS	50	12	-	13.5	-	15	M16	114	8	8	30	300
GN 6311.4-60-M16-59-KS	60	12	-	13.5	-	15	M16	59	8	8	30	308

GN 6311.4-60-M16-69-KS	60	12	-	13.5	-	15	M16	69	8	30	319
GN 6311.4-60-M16-89-KS	60	12	-	13.5	-	15	M16	89	8	30	340
GN 6311.4-60-M16-114-KS	60	12	-	13.5	-	15	M16	114	8	30	374
GN 6311.4-60-M20-78-KS	60	15.5	-	15.5	-	17	M20	78	10	50	390
GN 6311.4-60-M20-88-KS	60	15.5	-	15.5	-	17	M20	88	10	50	420
GN 6311.4-60-M20-113-KS	60	15.5	-	15.5	-	17	M20	113	10	50	446
GN 6311.4-60-M20-138-KS	60	15.5	-	15.5	-	17	M20	138	10	50	518
GN 6311.4-50-M12-41-OS	50	8	12.5	-	14	-	M12	41	6	13	160
GN 6311.4-50-M12-51-OS	50	8	12.5	-	14	-	M12	51	6	13	180
GN 6311.4-50-M12-61-OS	50	8	12.5	-	14	-	M12	61	6	13	201
GN 6311.4-50-M12-71-OS	50	8	12.5	-	14	-	M12	71	6	13	215
GN 6311.4-50-M12-91-OS	50	8	12.5	-	14	-	M12	91	6	13	230
GN 6311.4-50-M16-59-OS	50	12	14.5	-	16	-	M16	59	8	30	239
GN 6311.4-50-M16-69-OS	50	12	14.5	-	16	-	M16	69	8	30	250
GN 6311.4-50-M16-89-OS	50	12	14.5	-	16	-	M16	89	8	30	260
GN 6311.4-50-M16-114-OS	50	12	14.5	-	16	-	M16	114	8	30	280
GN 6311.4-60-M16-59-OS	60	12	14.5	-	16	-	M16	59	8	30	292
GN 6311.4-60-M16-69-OS	60	12	14.5	-	16	-	M16	69	8	30	320
GN 6311.4-60-M16-89-OS	60	12	14.5	-	16	-	M16	89	8	30	350
GN 6311.4-60-M16-114-OS	60	12	14.5	-	16	-	M16	114	8	30	380
GN 6311.4-60-M20-78-OS	60	15.5	16.5	-	18	-	M20	78	10	50	400
GN 6311.4-60-M20-88-OS	60	15.5	16.5	-	18	-	M20	88	10	50	440
GN 6311.4-60-M20-113-OS	60	15.5	16.5	-	18	-	M20	113	10	50	480
GN 6311.4-60-M20-138-OS	60	15.5	16.5	-	18	-	M20	138	10	50	520

Static load stand for the value over which the applied load to the element, in certain use conditions, may cause plastic material deformation.



STANDARD MACHINE ELEMENTS WORLDWIDE