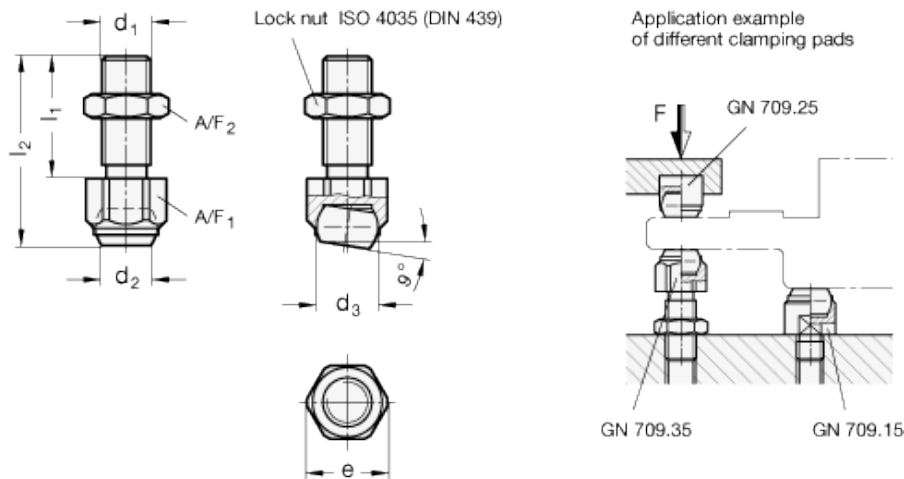


GN 709.35

Clamping pads



INOX
Stainless Steel



technical informations

Material

AISI 431 tempered stainless steel.

Ball

AISI 420C stainless steel, nickel-plated.

Hexagon nut

Stainless steel according to ISO 4035 (DIN 439).

Standard versions available

- Version B: smooth contact face.

Special executions on request (For sufficient quantities)

Serrated hard metal insert.

Features and applications

Clamping pads GN 709.35 are used as mobile supports or as spring plungers for clamping workpieces. They can also be used as a back stop.

The ball is limited to an angular movement of 9° only.

Standard Elements	Main dimensions								Max. static load in kN	Weight
Description	A/F ₁	d ₁	d ₂	d ₃	e	l ₁	l ₂	A/F ₂		g
GN 709.3-13-M8-B	13	M8	5.8	8.5	14.5	25	36.6	13	8	21
GN 709.3-17-M10-B	17	M10	8.6	12	19	30	45.7	17	8	55
GN 709.3-17-M12-B	17	M12	8.6	12	19	35	50.7	19	15	55
GN 709.3-24-M16-B	24	M16	10.5	16	27	40	60.7	24	25	115
GN 709.3-30-M20-B	30	M20	20	25	33	50	77.3	30	90	230



STANDARD MACHINE ELEMENTS WORLDWIDE