

ERFW+I

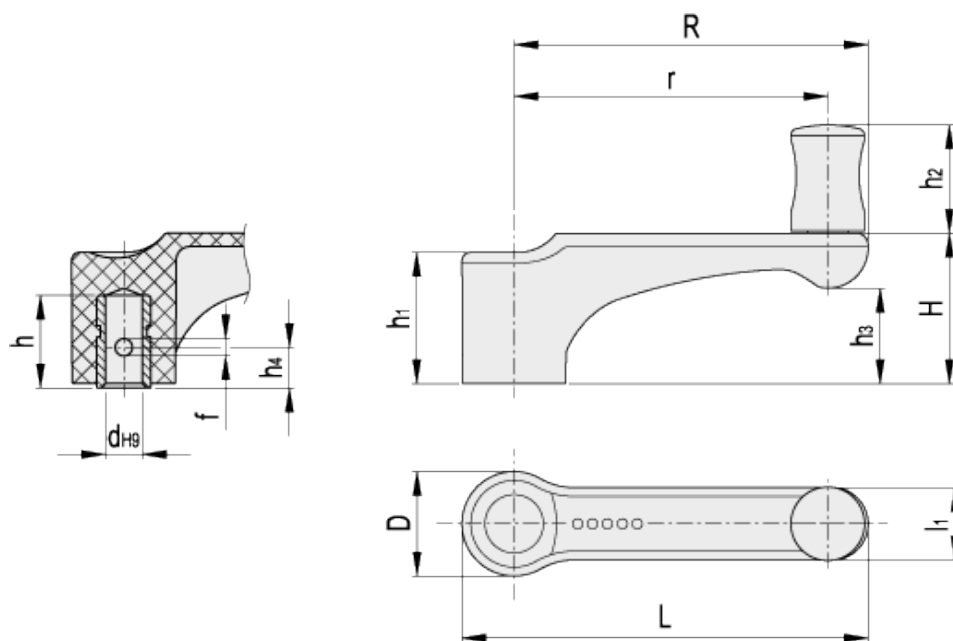
Crank handles with revolving handle



ELESA Original design



ERGOSTYLE®



technical informations

Material

Glass-fibre reinforced polyamide based (PA) technopolymer. Resistant to solvents, oils, greases and other chemical agents.

Colour

Grey-black, matte finish.

Standard execution

Brass boss, cylindrical blind hole, transversal semi-machined hole for pinning to shaft.

Revolving handle [L.741+x](#) in polyamide based (PA) technopolymer, black colour, matte finish.

The grooves cut into the cylindrical surface allow an effective and ergonomic grip, though necessarily limited to the fingertips, due to the small size of the handle.

| Ergostyle | | Main dimensions | | | | | | | | | | Mounting hole | | Handle | | Weight |
|-----------|-------------------|-----------------|------|------|------|----------------|----------------|----------------|----------------|---|-----------------|---------------|----|----------------|----|--------|
| Code | Description | R | L | D | H | h ₁ | h ₃ | l ₁ | h ₄ | f | d _{H9} | h | r | h ₂ | g | |
| 232411-C1 | ERFW.44 N-6+I-C1 | 44 | 52 | 15.5 | 21 | 19 | 12.5 | 11 | 7 | 3 | 6 | 15 | 38 | 20 | 18 | |
| 232431-C1 | ERFW.63 N-8+I-C1 | 63 | 73.5 | 19 | 28.5 | 24.5 | 18.5 | 13.5 | 8 | 4 | 8 | 20 | 56 | 23 | 28 | |
| 232451-C1 | ERFW.78 N-10+I-C1 | 78 | 90.5 | 23 | 30 | 29.5 | 18 | 16 | 9 | 4 | 10 | 25 | 71 | 23 | 43 | |



ELESA and GANTER models all rights reserved in accordance with the law. Always mention the source when reproducing our drawings.

STANDARD MACHINE ELEMENTS WORLDWIDE