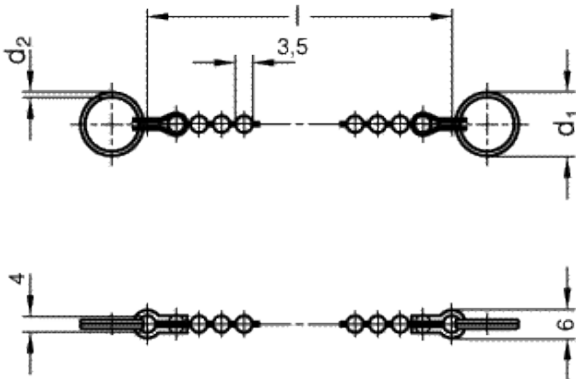


GN 111.5

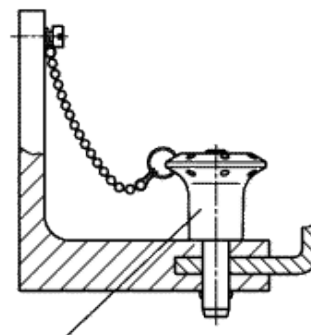
Ball chains



INOX
Stainless Steel



Example of application



Pins GN 114.2 / 114.3
Ball lock pins GN 113.5 / 113.6



technical informations

Ball chain

AISI 304 stainless steel.

Ring

AISI 302 stainless steel.

Accessories on request

Single key rings are supplied with code no. GN 111.3-d₁.

Applications

Ball chains GN 111.5 are mainly used in connection with ball lock pins and pins with axial lock. The key rings are supplied unmounted. Both rings have the same $\varnothing d_1$. The load values given in the above table at shear stress are theoretically obtained and indicative only. They are non-binding recommended values and rule out any liability.

Instructions of use

1) Suitable for ball lock pins and pins with axial lock
GN 113.1, GN 124
Ø 6, Ø 8

GN 113.3, GN 113.4, GN 113.5, GN 113.6, GN 113.7, GN 113.8, GN 114.2, GN 114.3
Ø all

2) Suitable for ball lock pins and pins with axial lock GN 124
Ø 10, Ø 12

Standard Elements	Main dimensions			Static Load in N \approx		Weight g
	Description	$l \pm 3$	d_1	d_2	with ring	
GN 111.5-200-14	200	14 ¹⁾	1	50	180	100
GN 111.5-200-18	200	18 ²⁾	1.3	90	180	100
GN 111.5-200-24	200	24	1.5	100	180	100
GN 111.5-200-30	200	30	1.8	120	180	100
GN 111.5-320-14	320	14 ¹⁾	1	50	180	100
GN 111.5-320-18	320	18 ²⁾	1.3	90	180	100
GN 111.5-320-24	320	24	1.5	100	180	150
GN 111.5-320-30	320	30	1.8	120	180	150
GN 111.5-500-14	500	14 ¹⁾	1	50	180	150
GN 111.5-500-18	500	18 ²⁾	1.3	90	180	150
GN 111.5-500-24	500	24	1.5	100	180	200
GN 111.5-500-30	500	30	1.8	120	180	200
GN 111.5-1000-14	1000	14 ¹⁾	1	50	180	300
GN 111.5-1000-18	1000	18 ²⁾	1.3	90	180	300
GN 111.5-1000-24	1000	24	1.5	100	180	300
GN 111.5-1000-30	1000	30	1.8	120	180	300



STANDARD MACHINE ELEMENTS WORLDWIDE