

GN 817.1-RT

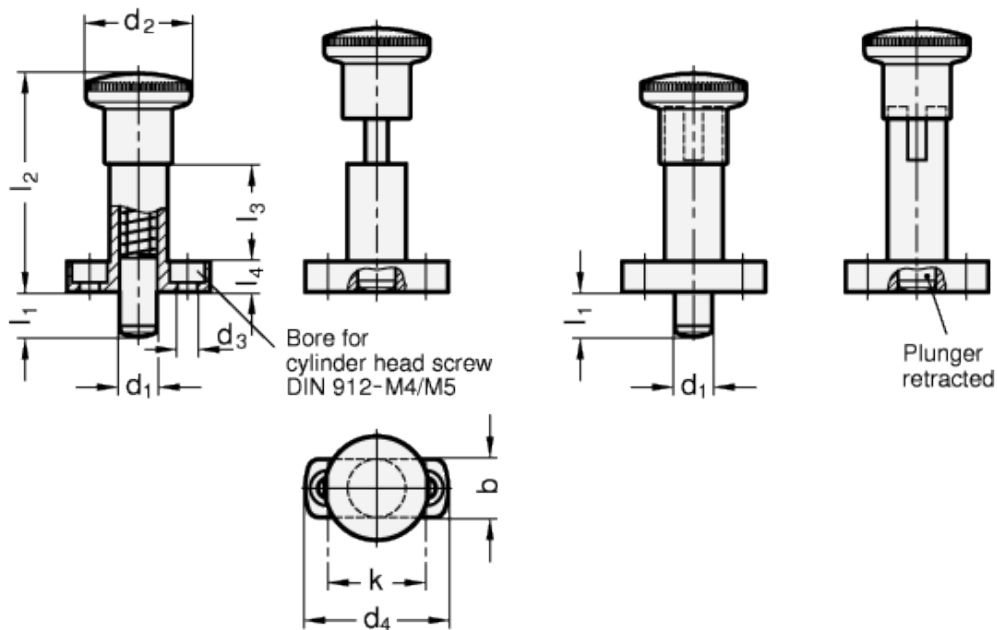
Indexing plungers



Type B

Type C

(Knob rotated by 90°)



technical informations

Specification

Types

- Type B: without rest position
- Type C: with rest position

Guide

Zinc die casting

plastic coated

black, textured finish

Pin
Stainless Steel
- AISI 303

Knob Plastic
Technopolymer (Polyamide PA)
- red RT RAL 3000
add RT on order code
- not removable

Information

Indexing plungers GN 817.1 (Type C) are used for such applications where the plunger has to stay in its retracted position. To achieve this, the knob is rotated by 90° degrees after being retracted. A notch keeps the plunger in this position.

On request

- Indexing plungers with T-Handle

Standard Elements	Main dimensions													Weight
Description	d_1 Pin -0.02/-0.04 / Bore +0.10/+0.03	l_1	b	d_2	d_3	d_4	k	l_2	l_3	l_4	initial	end	g	
GN 817.1-6-6-B-RT	6	6	13	23	4.3	34	22	48	22	6	6.5	19	-	
GN 817.1-6-9-B-RT	6	9	13	23	4.3	34	22	48	22	6	6	25	-	
GN 817.1-8-8-B-RT	8	8	16	28	5.3	38	26	58	26	8	8.5	26	-	
GN 817.1-8-12-B-RT	8	12	16	28	5.3	38	26	58	26	8	8.5	28	-	
GN 817.1-10-12-B-RT	10	12	16	28	5.3	38	26	58	26	8	9.5	38	-	
GN 817.1-6-6-C-RT	6	6	13	23	4.3	34	22	48	22	6	6.5	19	-	
GN 817.1-6-9-C-RT	6	9	13	23	4.3	34	22	48	22	6	6	25	-	
GN 817.1-8-8-C-RT	8	8	16	28	5.3	38	26	58	26	8	8.5	26	-	
GN 817.1-8-12-C-RT	8	12	16	28	5.3	38	26	58	26	8	8.5	28	-	
GN 817.1-10-12-C-RT	10	12	16	28	5.3	38	26	58	26	8	9.5	38	-	



STANDARD MACHINE ELEMENTS WORLDWIDE