



GN 422

Cabinet "U" handles

with power switching function



Specification

Types

- Type **T1**: with 1 button
- Type **T2**: with 2 buttons

Connection types

- Connection type **K**: Cable
- Connection type **S**: Plug (with 0.25 m cable)

Zinc die casting **ZD**

plastic coated

black, RAL 9005, textured finish **SW**

silver, RAL 9006, textured finish **SR**

Button

Stainless Steel AISI 304

Cable (Outer sheath)

Polyurethan PUR

black

Information

GN 422 cabinet "U" handles come with one or two push buttons. Each button has a changeover switch and integrated LED ring lighting.

When the button is pressed, an electrical control impulse to switch off a machine, for example, can be triggered based on the wiring of the contacts (NC or NO).

Independent whether or not the button is actuated, the integrated LED ring lighting shines either red or green depending on the polarity of connections 1 and 2 of the LED.

The cabinet „U“ handle is functional and highly compact and can be used for any application due to its universal design.

Technical information

- [IP Protection classes](#)

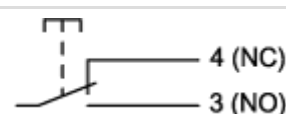
Accessory

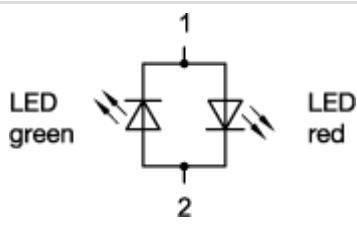
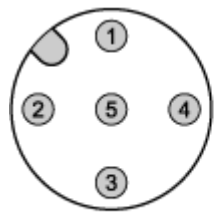

- Cables with connector coupling M12x1 [GN 330](#)

Electrical and mechanical properties

| Electrical and mechanical properties | |
|--------------------------------------|----------------------------------|
| Button | - |
| Contacts | changeover contact, snap contact |
| Contact material | silver alloy |
| Switching voltages | max. 125 V (plug) |
| | max. 240 V (cable) |

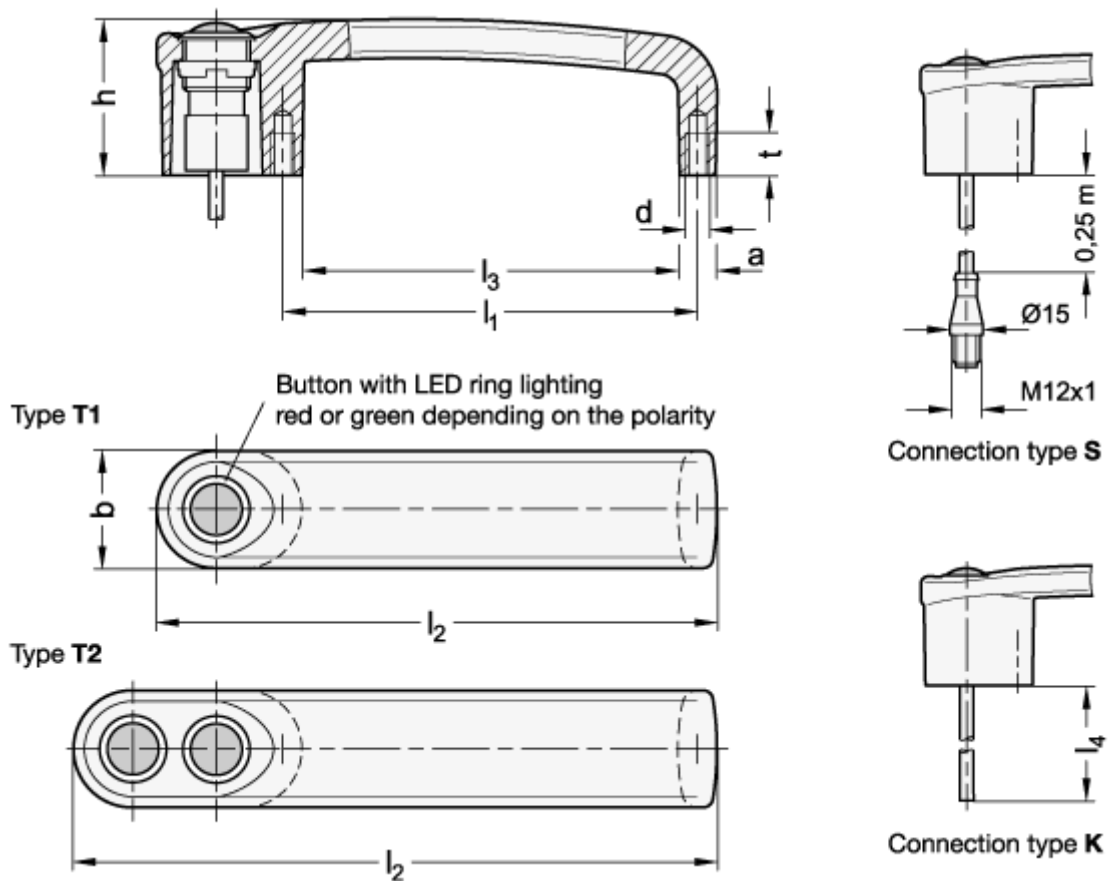
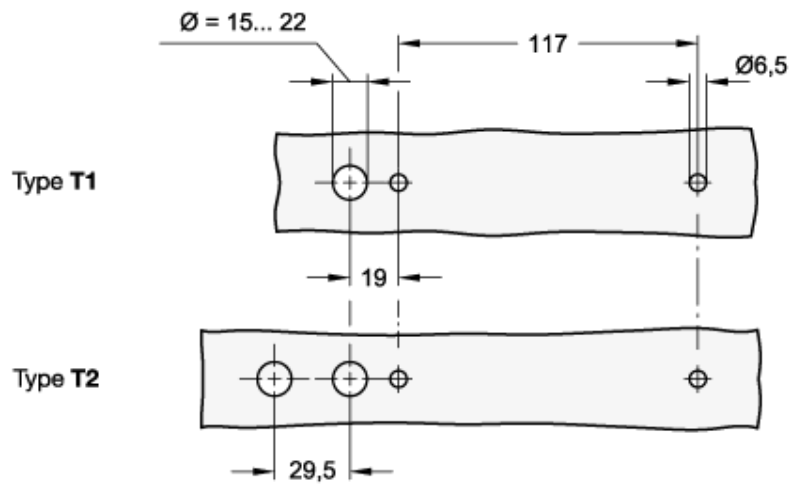
5 (C)



| | | |
|---|---|---|
| Switching current | max. 3 A | |
| mech. lifespan | 10 ⁶ switching cycles | |
| elect. lifespan | 50.000 switching cycles (under full load) | |
| - | - | - |
| LED ring lighting | | |
| Operating voltage / | 24 Vdc ± 10 % / 7 mA |  |
| operating current | | |
| - bi-color (red / green) | | |
| - | - | - |
| Category of use (button) | AC 15: 24 Vac / 1 A / DC 13: 24 Vdc / 0.7 A | according to IEC 60947-5-1 |
| | AC 15: 110 Vac / 1 A / DC 13: 110 Vdc / 0.2 A | |
| | AC 15: 220 Vac / 0.5 A / DC 13: 220 Vdc / 0.1 A | |
| | - | - |
| | AC: 120 Vac / 5 A / DC: 12 Vdc / 1 A | according to UL 508 |
| AC: 240 Vac / 3 A | | |
| - | - | - |
| Connection type | - | |
| Cable (K) | PUR cable with open stranded wires (2 m or 5 m) |  <ul style="list-style-type: none"> 1 - brown 2 - white 3 - blue 4 - black 5 - grey |
| or | - | |
| Plug connector (S) | 5-pin connector M12x1 with PUR cable 0.25 m | |
| - | - | |
| - | - | |
| | | Pin configuration and cable assignment |
| | | Plug connector and cable assignment |
| Protection class | IP 67 | - |
| - | - | - |
| Approvals, conformity declarations |  | |
| CE marking | | |

Installation holes

The holes must be free of burrs to prevent damage to the cable.



Black (RAL 9005) SW

Silver (RAL 9006) SR

GN 422

| Description | $l_1 \pm 0.2$ | l_2 | l_3 | a | b | d | h | t | Cable length l_4 in meter | Weight |
|----------------------------|---------------|-------|-------|------|----|-----|----|----|-----------------------------|--------|
| GN 422-ZD-T1-K-2-SW | 117 | 158 | 105.5 | 10.2 | 33 | M 6 | 44 | 12 | 2 | 585 |
| GN 422-ZD-T1-K-2-SR | 117 | 158 | 105.5 | 10.2 | 33 | M 6 | 44 | 12 | 2 | 582 |
| GN 422-ZD-T2-K-2-SW | 117 | 181.5 | 105.5 | 10.2 | 33 | M 6 | 44 | 12 | 2 | 790 |
| GN 422-ZD-T2-K-2-SR | 117 | 181.5 | 105.5 | 10.2 | 33 | M 6 | 44 | 12 | 2 | 690 |
| GN 422-ZD-T1-K-5-SW | 117 | 158 | 105.5 | 10.2 | 33 | M 6 | 44 | 12 | 5 | 730 |
| GN 422-ZD-T1-K-5-SR | 117 | 158 | 105.5 | 10.2 | 33 | M 6 | 44 | 12 | 5 | 740 |
| GN 422-ZD-T2-K-5-SW | 117 | 181.5 | 105.5 | 10.2 | 33 | M 6 | 44 | 12 | 5 | 1080 |
| GN 422-ZD-T2-K-5-SR | 117 | 181.5 | 105.5 | 10.2 | 33 | M 6 | 44 | 12 | 5 | 1070 |
| GN 422-ZD-T1-S-SW | 117 | 158 | 105.5 | 10.2 | 33 | M 6 | 44 | 12 | - | 516 |
| GN 422-ZD-T1-S-SR | 117 | 158 | 105.5 | 10.2 | 33 | M 6 | 44 | 12 | - | 516 |
| GN 422-ZD-T2-S-SR | 117 | 181.5 | 105.5 | 10.2 | 33 | M 6 | 44 | 12 | - | 630 |
| GN 422-ZD-T2-S-SW | 117 | 181.5 | 105.5 | 10.2 | 33 | M 6 | 44 | 12 | - | 630 |