

KLEE blower®

Roots Blowers



BRD. KLEE ENGINEERING & TRADING COMPANY

Phone +45 4386 8333 · Fax +45 4386 8388 · e-mail: klee@klee.dk · www.klee.dk

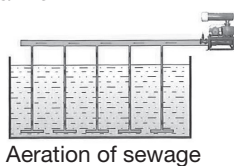
Roots blowers		
Characteristics	page	3
Conversion table	page	3
Roots blower scale drawing and dimenions	page	4
Roots blower complete device dimensions	page	5
KBKP 65 - pressure 1000-5000 mmAq / 6000-10000 mmAq	page	6-7
KBKP 80 - pressure 1000-5000 mmAq / 6000-10000 mmAq	page	8-9
KBKP 100 - pressure 1000-5000 mmAq / 6000-10000 mmAq	page	10-11
KBKP 125 - pressure 1000-5000 mmAq / 6000-10000 mmAq	page	12-13
KBKP 150A - pressure 1000-5000 mmAq / 6000-10000 mmAq	page	14-15
KBKP 150 - pressure 1000-5000 mmAq / 6000-10000 mmAq	page	16-17
KBKP 200 - pressure 1000-5000 mmAq / 6000-10000 mmAq	page	18-19
KBKP 250 - pressure 1000-5000 mmAq / 6000-10000 mmAq	page	20-21
KBKP 300A - pressure 1000-5000 mmAq / 6000-10000 mmAq	page	22
KBKV 65 & 80 - vacuum -1000 to -6000 mmAq	page	23
KBKV 100 & 125 - vacuum -1000 to -6000 mmAq	page	24
KBKV 150A & 150 - vacuum -1000 to -6000 mmAq	page	25
KBKV 200 & 250 - vacuum -1000 to -6000 mmAq	page	26
KBKV 300A & 300 - vacuum -1000 to -6000 mmAq	page	27
Accessories	page	28-30
Inlet silencer	page	28
Outlet silencer / T-joint	page	29
Relief valve type KV / check valve type KCV	page	30
Flexible flange type KVX	page	30
We also supply...	page	31
Our program also contains	page	32

Roots blowers

The Brd. Klee roots blower is built from quality products from our product range. Products besides the roots blower unit: Gates V-belts, pulleys and Kledrive motor.

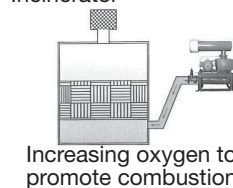
Application examples

Water treatment



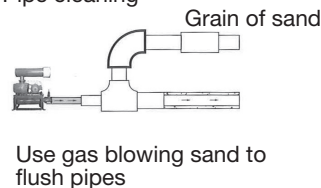
Aeration of sewage

Incinerator



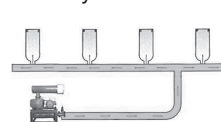
Increasing oxygen to promote combustion

Pipe cleaning



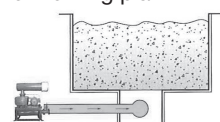
Use gas blowing sand to flush pipes

Beverage industry



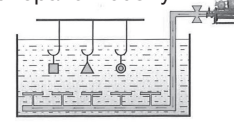
Clean up bottles dead angle by gas

Fermenting plant



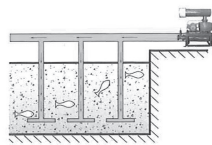
Increasing oxygen to promote fermentation

Electroplate industry



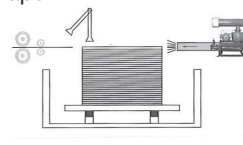
Stir gas liquid, make its uniformity

Fishery



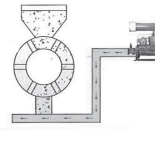
Increasing of oxygen in water

Paper mill



Mechanical arm carries the paper after it has been rised by the wind

Conveying



Use gas conveying materials

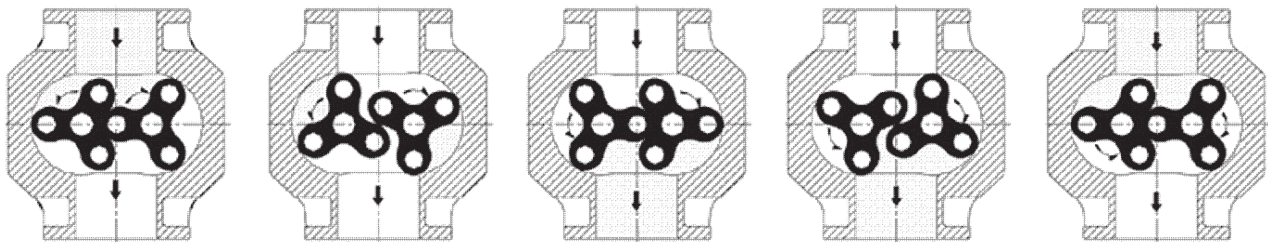
Roots blowers

The Kleeblower 3 lobe Roots Blower is a high-performance roots blower with the possibility of synchronous operation up to 4000 rpm. High capacity and pressure vacuum, low vibrations, relatively quiet and a low weight are among the technical characteristics. Size of inlet-flange from 2,5" up to 12". The roots blower can provide a max. pressure of 1 bar above atmospheric pressure.

The difference between a roots blower for pressure and for vacuum is primarily the location of the silencer, the filter and the shut-off valve.

Features

- High efficiency - The rotor linear structure minimizes the area and improves blower capacity.
- Low vibration - Proper balancing of the rotor (g2,5) minimizes vibrations and thus noise.
- Pressure drop - the inline structure (inlet/outlet) reduces the pressure drop and optimizes the operation.
- Vacuum - the roots blower provides a vacuum of max. -6000 mmAq. On request it is available in a two-chamber version and thereby achieve a vacuum of -6500 mmAq.



Operating principle of Klee roots blower

The flow and capacity depends on the speed of the roots blower. For each rotation of the rotor, the air is sucked, compressed and discharged 3 times compared to a two-lobes blower.

This principle means less strain and pulsation and thus a constant pressure, low noise level and less vibration.

Each of the two parallel shafts is provided with a rotor with 3 lobes. The tolerance between the two rotors and the housing inside is essential for the production of compressed air from inlet to outlet. A separate oil-lubricated gear makes the production of air takes place under oil-free conditions. It also provides additional advantages: Simple configuration, less wear, smooth and good operation for many different applications.

Conversion table

Pressure	atm	kPa	bar	lbt/in ²	kgf/cm ²	in Hg	ftAq	mmHg(Torr)	mmAq
1 atm	1	101.325	1.0325	14.696	1.0333	29.921	33.914	760	10333
1 kPt	0.0099	1	0.01	0.145	0.0102	0.295	0.335	7.5	102
1 bar	0.9869	100	1	14.504	1.0198	29.53	33.47	750	10198
1 lbt/in ² (psi)	0.068	6.894	0.689	1	0.0703	2.036	2.208	51.71	703
1 kgf/cm ²	0.968	98.062	0.981	14.228	1	28.96	32.82	735.53	10000
1 InHg	0.0334	3.3863	0.0339	0.491	0.0345	1	1.133	25.4	345.3
1 ftAq	0.0295	2.99	0.0299	0.434	0.0305	0.882	1	22.42	304.8
1 mmHg(Torr)	0.013	0.1338	0.00138	0.019	0.0014	0.04	0.045	1	13.6
1 mmAq	0.000097	0.0098	0.000098	0.0014	0.0001	0.003	0.0033	0.074	1

Capacity	m ³ /min	l/min	cm ³ /s	ln ³ /s	ft ³ /min(cfm)
1 m ³ /min	1	1000	16667	1016	35.288
1 l/min	0.001	1	16.67	1.02	0.353
1 cm ³ /s	0.00006	0.06	1	0.061	0.002
1 ln ³ /s	0.00098	0.983	16.39	1	0.035
1 ft ³ /min(cfm)	0.028	28.32	471.95	28.8	1

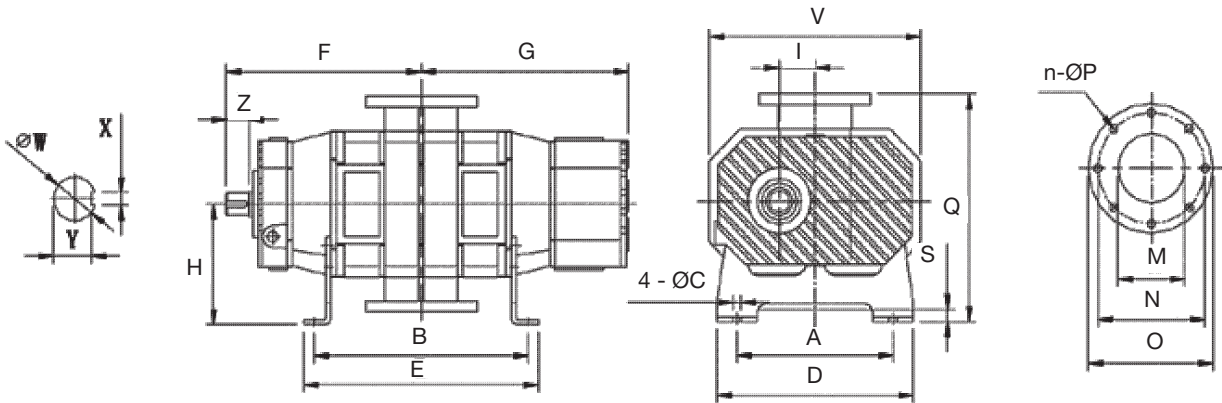
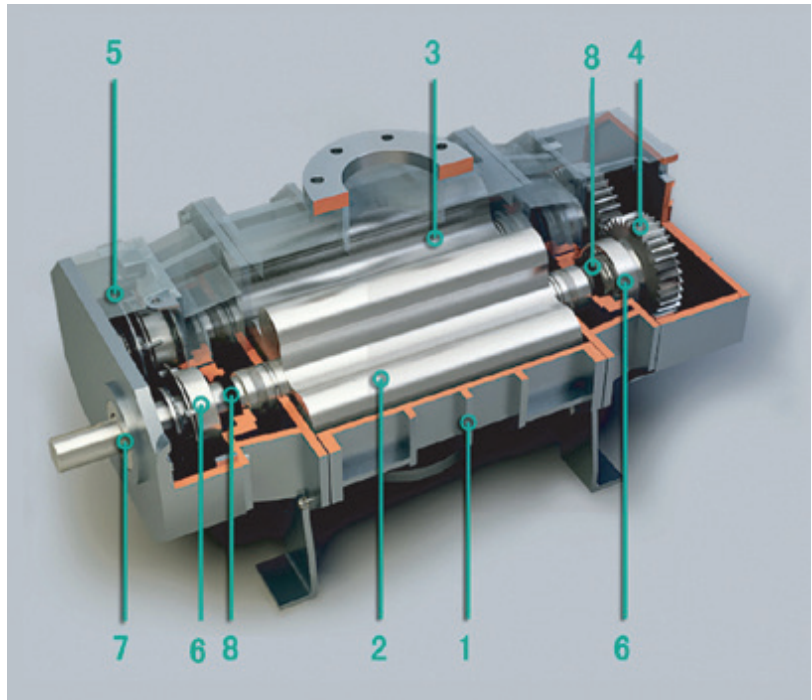
Pressure conversion formula

1 kPa = 1000 Pa = 1000 N/m²

1 mbar = 10,198 mmAq

1 mmHG(torr) = 133,8 Pa

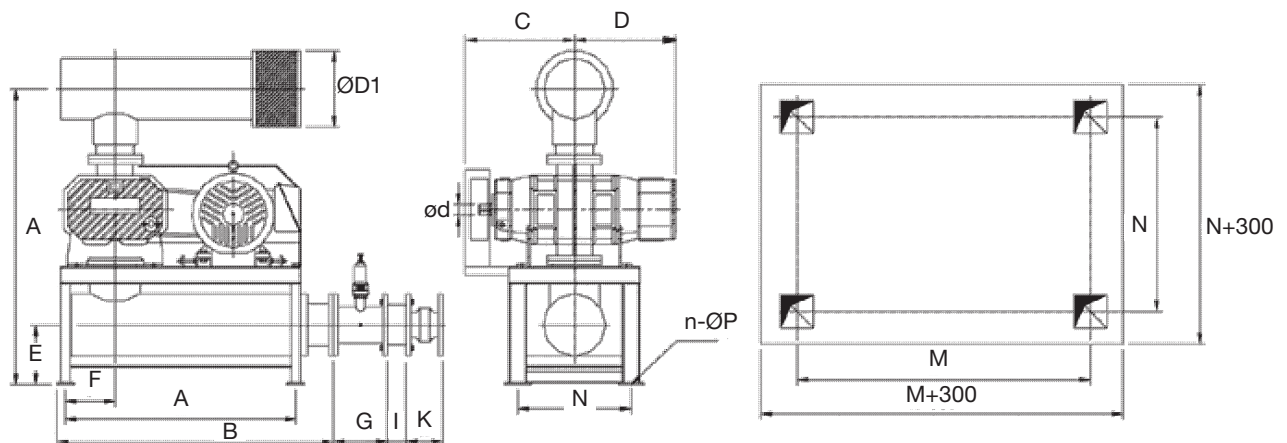
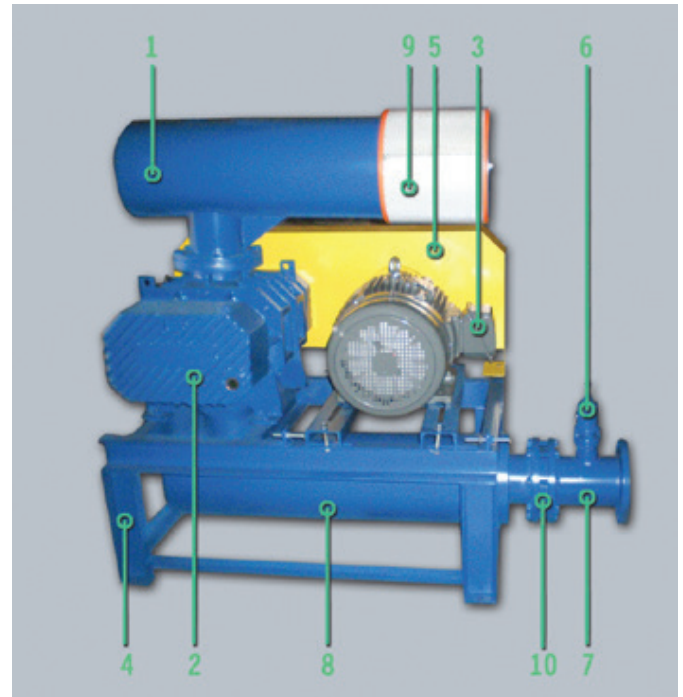
Part no	Description	No.
1	Housing	1
2	Drive rotor	1
3	Driven rotor	1
4	Gear	2
5	Oil screw	1
6	Bearing	4
7	Oil seal	1
8	V-ring	4



Model	A	B	C	D	E	F	G	H	I	Q	S	V	W	X	Y	Z	M	N	O	n-ØP
KBKP-65	200	240	14	260	284	219	242	160	45	305	10	274	28	8	24	42	60	145	150	4-Ø18
KBKP-80	200	320	14	260	364	259	282	160	45	305	10	274	28	8	24	42	80	160	200	8-Ø18
KBKP-100	260	280	14	360	314	323	285	220	60	409	31	370	38	10	33	48	100	180	220	8-Ø18
KBKP-125	260	330	14	360	364	348	310	220	60	409	31	370	38	10	33	48	130	210	250	8-Ø22
KBKP-150A	350	360	18	440	406	376	404	260	80	492	28	474	48	14	42.5	48	150	240	285	8-Ø22
KBKP-150	350	480	18	440	526	436	464	260	80	492	28	474	48	14	42.6	48	150	240	285	8-Ø22
KBKP-200	335	480	18	430	540	475	440	320	100	620	20	610	60	18	53	75	200	295	340	8-Ø22
KBKP-250	420	560	22	620	620	545	502	350	120	670	30	720	65	18	58	75	250	350	390	12-Ø22
KBKP-300	580	690	22	760	750	740	590	405	150	780	30	870	80	22	71	75	300	400	450	12-Ø25

All dimensions in mm

Part no.	Description	No.
1	Inlet silencer	1
2	Main body	1
3	Motor	1
4	Bottom case	1
5	Hood	1
6	Safety valve	1
7	T-joint	1
8	Outlet silencer	1
9	Filter barrel	1
10	Check valve	1



Model	A	B	C	D	D1	E	F	G	I	K	M	N	d	n-ØP
KBKP-65	910	1050	260	238	200	180	250	150	24	95	560	340	28	4-Ø18
KBKP-80	950	1150	302	278	250	170	250	180	24	110	840	360	28	4-Ø18
KBKP-100	1100	1150	381	295	280	197	250	180	22	115	950	450	38	4-Ø18
KBKP-125	1150	1250	406	320	320	192	300	250	24	140	1100	500	38	4-Ø18
KBKP-150A	1310	1250	440	395	350	230	300	250	29	170	1100	560	48	4-Ø18
KBKP-150	1310	1250	500	455	350	230	300	250	29	170	1100	560	48	4-Ø18
KBKP-200	1580	1400	520	440	450	255	300	250	27	170	1250	980	60	4-Ø22
KBKP-250	1720	1500	580	502	500	280	350	250	27	210	1250	980	65	4-Ø22
KBKP-300	1910	1600	800	590	500	310	350	300	32	240	1400	1100	80	4-Ø22

All dimensions in mm



KBKP 65 / Pressure 1000-5000 mmAq

Model	Rpm	1000 mmAq		2000 mmAq		3000 mmAq		4000 mmAq		5000 mmAq	
		Qs	La	Qs	La	Qs	La	Qs	La	Qs	La
KBKP 65	1950	2.74	0.96	2.61	1.46	2.51	1.96	2.43	2.46	2.36	2.96
	2050	2.90	1.01	2.77	1.54	2.67	2.06	2.59	2.58	2.51	3.11
	2150	3.06	1.06	2.93	1.61	2.83	2.16	2.74	2.71	2.67	3.26
	2250	3.21	1.11	3.08	1.69	2.98	2.26	2.90	2.84	2.83	3.41
	2350	3.37	1.16	3.24	1.76	3.14	2.36	3.06	2.96	2.98	3.56
	2450	3.53	1.21	3.40	1.83	3.30	2.46	3.21	3.09	3.14	3.72
	2550	3.68	1.26	3.55	1.91	3.45	2.56	3.37	3.22	3.30	3.87
	2650	3.84	1.31	3.71	1.98	3.61	2.66	3.53	3.34	3.45	4.02
	2750	4.00	1.36	3.87	2.06	3.77	2.76	3.68	3.47	3.61	4.17
	2850	4.15	1.40	4.02	2.13	3.92	2.86	3.84	3.59	3.77	4.32
	2950	4.31	1.45	4.18	2.21	4.08	2.96	4.00	3.72	3.92	4.48
	3050	4.47	1.50	4.34	2.28	4.24	3.07	4.15	3.85	4.08	4.63
	3150	4.62	1.55	4.49	2.36	4.39	3.17	4.31	3.97	4.24	4.78
	3250	4.78	1.60	4.65	2.43	4.55	3.27	4.47	4.10	4.39	4.93
	3350	4.94	1.65	4.81	2.51	4.71	3.37	4.62	4.22	4.55	5.08
3450	5.09	1.70	4.96	2.58	4.86	3.47	4.78	4.35	4.71	5.23	

Pressure = mmAq / Qs = m³/min / La = kW / rpm = speed of roots blower



Model	Rpm	6000 mmAq		7000 mmAq		8000 mmAq		9000 mmAq		10000 mmAq	
		Qs	La	Qs	La	Qs	La	Qs	La	Qs	La
KBKP 65	1950	2.29	3.46	2.23	3.96	2.17	4.46	2.12	4.96	2.07	5.45
	2050	2.45	3.63	2.38	4.16	2.33	4.68	2.27	5.21	2.22	5.73
	2150	2.60	3.81	2.54	4.36	2.48	4.91	2.43	5.46	2.38	6.01
	2250	2.76	3.99	2.70	4.57	2.64	5.14	2.59	5.72	2.54	6.29
	2350	2.92	4.17	2.85	4.77	2.80	5.37	2.74	5.97	2.69	6.57
	2450	3.07	4.34	3.01	4.97	2.95	5.60	2.90	6.23	2.85	6.85
	2550	3.23	4.52	3.17	5.17	3.11	5.83	3.06	6.48	3.01	7.13
	2650	3.39	4.70	3.32	5.38	3.27	6.06	3.21	6.73	3.16	7.41
	2750	3.54	4.88	3.48	5.58	3.42	6.28	3.37	6.99	3.32	7.69
	2850	3.70	5.05	3.64	5.78	3.58	6.51	3.53	7.24	3.48	7.97
	2950	3.86	5.23	3.79	5.99	3.74	6.74	3.68	7.50	3.63	8.25
	3050	4.01	5.41	3.95	6.19	3.89	6.97	3.84	7.75	3.79	8.53
	3150	4.17	5.59	4.11	6.39	4.05	7.20	4.00	8.00	3.95	8.81
	3250	4.33	5.76	4.27	6.59	4.21	7.43	4.15	8.26	4.10	9.09
	3350	4.48	5.94	4.42	6.80	4.36	7.66	4.31	8.51	4.26	9.37
3450	4.64	6.12	4.58	7.00	4.52	7.88	4.47	8.77	4.42	9.65	

Pressure = mmAq / Qs = m³/min / La = kW / rpm = speed of roots blower

KBKP 80 / Pressure 1000-5000 mmAq

Model	Rpm	1000 mmAq		2000 mmAq		3000 mmAq		4000 mmAq		5000 mmAq	
		Qs	La	Qs	La	Qs	La	Qs	La	Qs	La
KBKP 80	1950	4.69	1.40	4.52	2.23	4.39	3.06	4.28	3.89	4.18	4.73
	2050	4.95	1.47	4.78	2.35	4.65	3.22	4.54	4.09	4.44	4.97
	2150	5.21	1.54	5.04	2.46	4.91	3.38	4.80	4.29	4.71	5.21
	2250	5.47	1.61	5.30	2.57	5.17	3.53	5.06	4.49	4.97	5.45
	2350	5.73	1.69	5.56	2.69	5.43	3.69	5.32	4.69	5.23	5.70
	2450	5.99	1.76	5.82	2.80	5.70	3.85	5.59	4.89	5.49	5.94
	2550	6.25	1.83	6.09	2.92	5.96	4.01	5.85	5.09	5.75	6.18
	2650	6.52	1.90	6.35	3.03	6.22	4.16	6.11	5.29	6.01	6.42
	2750	6.78	1.97	6.61	3.15	6.48	4.32	6.37	5.49	6.27	6.67
	2850	7.04	2.04	6.87	3.26	6.74	4.48	6.63	5.69	6.53	6.91
	2950	7.30	2.12	7.13	3.37	7.00	4.63	6.89	5.89	6.80	7.15
	3050	7.56	2.19	7.39	3.49	7.26	4.79	7.15	6.09	7.06	7.39
	3150	7.82	2.26	7.65	3.60	7.52	4.95	7.41	6.29	7.32	7.64
	3250	8.08	2.33	7.91	3.72	7.79	5.10	7.68	6.49	7.58	7.88
	3350	8.34	2.40	8.18	3.83	8.05	5.26	7.94	6.69	7.84	8.12
	3450	8.61	2.47	8.44	3.95	8.31	5.42	8.20	6.89	8.10	8.36
	3550	8.87	2.55	8.70	4.06	8.57	5.58	8.46	7.09	8.36	8.61
	3650	9.13	2.62	8.96	4.18	8.83	5.73	8.72	7.29	8.62	8.85
	3750	9.39	2.69	9.22	4.29	9.09	5.89	8.98	7.49	8.89	9.09
	3850	9.65	2.76	9.48	4.40	9.35	6.05	9.24	7.69	9.15	9.33
3950	9.91	2.83	9.74	4.52	9.61	6.20	9.50	7.89	9.41	9.58	
4050	10.17	2.90	10.00	4.63	9.88	6.36	9.77	8.09	9.67	9.82	
4150	10.43	2.98	10.27	4.75	10.14	6.52	10.03	8.29	9.93	10.06	
4250	10.70	3.05	10.53	4.86	10.40	6.68	10.29	8.49	10.19	10.30	
4350	10.96	3.12	10.79	4.98	10.66	6.83	10.55	8.69	10.45	10.54	

Pressure = mmAq / Qs = m³/min / La = kW / rpm = speed of roots blower



KBKP 80 / Pressure 6000-10000 mmAq

Model	Rpm	6000 mmAq		7000 mmAq		8000 mmAq		9000 mmAq		10000 mmAq	
		Qs	La	Qs	La	Qs	La	Qs	La	Qs	La
KBKP 80	1950	4.10	5.56	4.02	6.39	3.94	7.22	3.87	8.06	3.81	8.89
	2050	4.36	5.84	4.28	6.72	4.20	7.59	4.13	8.47	4.07	9.34
	2150	4.62	6.13	4.54	7.05	4.46	7.96	4.39	8.88	4.33	9.80
	2250	4.88	6.41	4.80	7.37	4.73	8.33	4.66	9.29	4.59	10.25
	2350	5.14	6.70	5.06	7.70	4.99	8.70	4.92	9.71	4.85	10.71
	2450	5.40	6.98	5.32	8.03	5.25	9.08	5.18	10.12	5.11	11.17
	2550	5.66	7.27	5.58	8.36	5.51	9.45	5.44	10.53	5.37	11.62
	2650	5.93	7.55	5.85	8.69	5.77	9.82	5.70	10.95	5.64	12.08
	2750	6.19	7.84	6.11	9.01	6.03	10.19	5.96	11.36	5.90	12.53
	2850	6.45	8.12	6.37	9.34	6.29	10.56	6.22	11.77	6.16	12.99
	2950	6.71	8.41	6.63	9.67	6.55	10.93	6.48	12.19	6.42	13.45
	3050	6.97	8.69	6.89	10.00	6.82	11.30	6.75	12.60	6.68	13.90
	3150	7.23	8.98	7.15	10.32	7.08	11.67	7.01	13.01	6.94	14.36
	3250	7.49	9.27	7.41	10.65	7.34	12.04	7.27	13.43	7.20	14.81
	3350	7.75	9.55	7.67	10.98	7.60	12.41	7.53	13.84	7.46	15.27
	3450	8.02	9.84	7.94	11.31	7.86	12.78	7.79	14.25	7.73	15.72
	3550	8.28	10.12	8.20	11.64	8.12	13.15	8.05	14.66	7.99	16.18
	3650	8.54	10.41	8.46	11.96	8.38	13.52	8.31	15.08	8.25	16.64
	3750	8.80	10.69	8.72	12.29	8.64	13.89	8.57	15.49	8.51	17.09
	3850	9.06	10.98	8.98	12.62	8.91	14.26	8.84	15.90	8.77	17.55
3950	9.32	11.26	9.24	12.95	9.17	14.63	9.10	16.32	9.03	18.00	
4050	9.58	11.55	9.50	13.27	9.43	15.00	9.36	16.73	9.29	18.46	
4150	9.84	11.83	9.76	13.60	9.69	15.37	9.62	17.14	9.55	18.91	
4250	10.11	12.12	10.03	13.93	9.95	15.74	9.88	17.56	9.82	19.37	
4350	10.37	12.40	10.29	14.26	10.21	16.11	10.14	17.97	10.08	19.83	

Pressure = mmAq / Qs = m³/min / La = kW / rpm = speed of roots blower



KBKP 100 / Pressure 1000-5000 mmAq

Model	Rpm	1000 mmAq		2000 mmAq		3000 mmAq		4000 mmAq		5000 mmAq	
		Qs	La	Qs	La	Qs	La	Qs	La	Qs	La
KBKP 100	2050	9.22	2.67	8.97	4.28	8.78	5.88	8.62	7.49	8.48	9.09
	2150	9.70	2.81	9.45	4.49	9.26	6.17	9.10	7.85	8.96	9.54
	2250	10.18	2.94	9.93	4.70	9.74	6.46	9.58	8.22	9.44	9.98
	2350	10.66	3.07	10.41	4.91	10.22	6.75	10.06	8.59	9.92	10.43
	2450	11.14	3.20	10.89	5.11	10.70	7.03	10.54	8.95	10.40	10.87
	2550	11.62	3.33	11.37	5.32	11.18	7.32	11.02	9.32	10.88	11.31
	2650	12.10	3.46	11.85	5.53	11.66	7.61	11.50	9.68	11.35	11.76
	2750	12.58	3.59	12.33	5.74	12.14	7.89	11.98	10.05	11.83	12.20
	2850	13.06	3.72	12.81	5.95	12.62	8.18	12.46	10.41	12.31	12.64
	2950	13.54	3.85	13.29	6.16	13.10	8.47	12.94	10.78	12.79	13.09
	3050	14.02	3.98	13.77	6.37	13.58	8.76	13.41	11.14	13.27	13.53
	3650	16.89	4.76	16.64	7.62	16.45	10.48	16.29	13.33	16.15	16.19
	3750	17.37	4.89	17.12	7.83	16.93	10.76	16.77	13.70	16.63	16.64
	3850	17.85	5.02	17.60	8.04	17.41	11.05	17.25	14.07	17.11	17.08
	3950	18.33	5.15	18.08	8.25	17.89	11.34	17.73	14.43	17.59	17.52
4050	18.81	5.28	18.56	8.46	18.37	11.63	18.21	14.80	18.07	17.97	

Pressure = mmAq / Qs = m³/min / La = kW / rpm = speed of roots blower



Model	Rpm	6000 mmAq		7000 mmAq		8000 mmAq		9000 mmAq		10000 mmAq	
		Qs	La	Qs	La	Qs	La	Qs	La	Qs	La
KBKP 100	2050	8.35	10.70	8.23	12.30	8.12	13.91	8.02	15.51	7.92	17.12
	2150	8.83	11.22	8.71	12.90	8.60	14.59	8.50	16.27	8.40	17.95
	2250	9.31	11.74	9.19	13.50	9.08	15.27	8.98	17.03	8.88	18.79
	2350	9.79	12.27	9.67	14.10	9.56	15.94	9.46	17.78	9.36	19.62
	2450	10.27	12.79	10.15	14.71	10.04	16.62	9.94	18.54	9.84	20.46
	2550	10.75	13.31	10.63	15.31	10.52	17.30	10.42	19.30	10.32	21.29
	2650	11.23	13.83	11.11	15.91	11.00	17.98	10.89	20.05	10.80	22.13
	2750	11.71	14.35	11.59	16.51	11.48	18.66	11.37	20.81	11.28	22.96
	2850	12.19	14.87	12.07	17.11	11.96	19.34	11.85	21.57	11.76	23.80
	2950	12.66	15.40	12.55	17.71	12.44	20.02	12.33	22.33	12.24	24.63
	3050	13.14	15.92	13.03	18.31	12.92	20.69	12.81	23.08	12.71	25.47
	3650	16.02	19.05	15.90	21.91	15.79	24.76	15.69	27.62	15.59	30.48
	3750	16.50	19.57	16.38	22.51	16.27	25.44	16.17	28.38	16.07	31.32
	3850	16.98	20.09	16.86	23.11	16.75	26.12	16.65	29.14	16.55	32.15
	3950	17.46	20.62	17.34	23.71	17.23	26.80	17.13	29.89	17.03	32.99
4050	17.94	21.14	17.82	24.31	17.71	27.48	17.61	30.65	17.51	33.82	

Pressure = mmAq / Qs = m³/min / La = kW / rpm = speed of roots blower



KBKP 125 / Pressure 1000-5000 mmAq

Model	Rpm	1000 mmAq		2000 mmAq		3000 mmAq		4000 mmAq		5000 mmAq	
		Qs	La	Qs	La	Qs	La	Qs	La	Qs	La
KBKP 125	2050	11.60	3.34	11.32	5.35	11.11	7.36	10.93	9.36	10.76	11.37
	2150	12.20	3.51	11.92	5.61	11.71	7.71	11.52	9.82	11.36	11.92
	2250	12.80	3.67	12.52	5.87	12.31	8.07	12.12	10.28	11.96	12.48
	2350	13.40	3.83	13.12	6.13	12.90	8.43	12.72	10.73	12.56	13.03
	2450	14.00	4.00	13.72	6.39	13.50	8.79	13.32	11.19	13.16	13.59
	2550	14.60	4.16	14.32	6.65	14.10	9.15	13.92	11.65	13.76	14.14
	2650	15.20	4.32	14.92	6.92	14.70	9.51	14.52	12.10	14.36	14.70
	2750	15.80	4.49	15.52	7.18	15.30	9.87	15.12	12.56	14.96	15.25
	2850	16.40	4.65	16.12	7.44	15.90	10.23	15.72	13.02	15.56	15.80
	2950	17.00	4.81	16.71	7.70	16.50	10.59	16.32	13.47	16.16	16.36
	3050	17.60	4.97	17.31	7.96	17.10	10.94	16.92	13.93	16.76	16.91
	3150	18.19	5.14	17.91	8.22	17.70	11.30	17.52	14.39	17.36	17.47
	3250	18.79	5.30	18.51	8.48	18.30	11.66	18.11	14.84	17.95	18.02
	3350	19.39	5.46	19.11	8.74	18.90	12.02	18.71	15.30	18.55	18.58
	3450	19.99	5.63	19.71	9.00	19.49	12.38	19.31	15.76	19.15	19.13
3550	20.59	5.79	20.31	9.26	20.09	12.74	19.91	16.21	19.75	19.69	

Pressure = mmAq / Qs = m³/min / La = kW / rpm = speed of roots blower



KBKP 125 / Pressure 6000-10000 mmAq

Model	Rpm	6000 mmAq		7000 mmAq		8000 mmAq		9000 mmAq		10000 mmAq	
		Qs	La	Qs	La	Qs	La	Qs	La	Qs	La
KBKP 125	2050	10.62	13.37	10.49	15.38	10.36	17.39	10.25	19.39	10.14	21.40
	2150	11.22	14.03	11.09	16.13	10.96	18.23	10.85	20.34	10.74	22.44
	2250	11.82	14.68	11.69	16.88	11.56	19.08	11.44	21.28	11.33	23.49
	2350	12.42	15.33	12.28	17.63	12.16	19.93	12.04	22.23	11.93	24.53
	2450	13.02	15.98	12.88	18.38	12.76	20.78	12.64	23.18	12.53	25.57
	2550	13.62	16.64	13.48	19.13	13.36	21.63	13.24	24.12	13.13	26.62
	2650	14.21	17.29	14.08	19.88	13.96	22.48	13.84	25.07	13.73	27.66
	2750	14.81	17.94	14.68	20.63	14.56	23.32	14.44	26.01	14.33	28.71
	2850	15.41	18.59	15.28	21.38	15.16	24.17	15.04	26.96	14.93	29.75
	2950	16.01	19.25	15.88	22.13	15.76	25.02	15.64	27.91	15.53	30.79
	3050	16.61	19.90	16.48	22.88	16.35	25.87	16.24	28.85	16.13	31.84
	3150	17.21	20.55	17.08	23.63	16.95	26.72	16.84	29.80	16.73	32.88
	3250	17.81	21.20	17.68	24.38	17.55	27.56	17.44	30.74	17.33	33.92
	3350	18.41	21.86	18.28	25.13	18.15	28.41	18.04	31.69	17.93	34.97
	3450	19.01	22.51	18.87	25.88	18.75	29.26	18.63	32.64	18.52	36.01
3550	19.61	23.16	19.47	26.63	19.35	30.11	19.23	33.58	19.12	37.06	

Pressure = mmAq / Qs = m³/min / La = kW / rpm = speed of roots blower



KBKP 150A / Pressure 1000-5000 mmAq

Model	Rpm	1000 mmAq		2000 mmAq		3000 mmAq		4000 mmAq		5000 mmAq	
		Qs	La	Qs	La	Qs	La	Qs	La	Qs	La
KBKP 150A	1650	19.17	5.52	18.71	8.84	18.36	12.15	18.06	15.46	17.79	18.78
	1750	20.40	5.86	19.94	9.37	19.58	12.89	19.29	16.40	19.02	19.92
	1850	21.63	6.19	21.17	9.91	20.81	13.62	20.52	17.34	20.25	21.05
	1950	22.86	6.53	22.40	10.44	22.04	14.36	21.74	18.28	21.48	22.19
	2050	24.09	6.86	23.63	10.98	23.27	15.10	22.97	19.21	22.71	23.33
	2150	25.32	7.20	24.86	11.51	24.50	15.83	24.20	20.15	23.94	24.47
	2250	26.55	7.53	26.09	12.05	25.73	16.57	25.43	21.09	25.17	25.61
	2350	27.78	7.87	27.32	12.59	26.96	17.30	26.66	22.02	26.40	26.74
	2450	29.01	8.20	28.55	13.12	28.19	18.04	27.89	22.96	27.63	27.88
	2550	30.24	8.54	29.78	13.66	29.42	18.78	29.12	23.90	28.86	29.02
	2650	31.47	8.87	31.01	14.19	30.65	19.51	30.35	24.84	30.09	30.16
	2750	32.70	9.20	32.23	14.73	31.88	20.25	31.58	25.77	31.32	31.30
	2850	33.93	9.54	33.46	15.26	33.11	20.99	32.81	26.71	32.55	32.43
	2950	35.16	9.87	34.69	15.80	34.34	21.72	34.04	27.65	33.78	33.57
	3050	36.39	10.21	35.92	16.33	35.57	22.46	35.27	28.58	35.01	34.71
	3150	37.62	10.54	37.15	16.87	36.80	23.20	36.50	29.52	36.24	35.85
	3250	38.84	10.88	38.38	17.41	38.03	23.93	37.73	30.46	37.47	36.99
	3350	40.07	11.21	39.61	17.94	39.26	24.67	38.96	31.40	38.70	38.12
3450	41.30	11.55	40.84	18.48	40.49	25.40	40.19	32.33	39.92	39.26	
3550	42.53	11.88	42.07	19.01	41.72	26.14	41.42	33.27	41.15	40.40	

Pressure = mmAq / Qs = m³/min / La = kW / rpm = speed of roots blower



KBKP 150A / Pressure 6000-10000 mmAq

Model	Rpm	6000 mmAq		7000 mmAq		8000 mmAq		9000 mmAq		10000 mmAq	
		Qs	La	Qs	La	Qs	La	Qs	La	Qs	La
KBKP 150A	1650	17.55	22.09	17.34	25.40	17.13	28.72	16.94	32.03	16.76	35.35
	1750	18.78	23.43	18.57	26.94	18.36	30.46	18.17	33.97	17.99	37.49
	1850	20.01	24.77	19.79	28.48	19.59	32.20	19.40	35.91	19.22	39.63
	1950	21.24	26.11	21.02	30.02	20.82	33.94	20.63	37.86	20.45	41.77
	2050	22.47	27.45	22.25	31.56	22.05	35.68	21.86	39.80	21.68	43.91
	2150	23.70	28.79	23.48	33.10	23.28	37.42	23.09	41.74	22.91	46.06
	2250	24.93	30.12	24.71	34.64	24.51	39.16	24.32	43.68	24.14	48.20
	2350	26.16	31.46	25.94	36.18	25.74	40.90	25.55	45.62	25.37	50.34
	2450	27.39	32.80	27.17	37.72	26.97	42.64	26.78	47.56	26.60	52.48
	2550	28.62	34.14	28.40	39.26	28.20	44.38	28.01	49.50	27.83	54.63
	2650	29.85	35.48	29.63	40.80	29.43	46.12	29.24	51.45	29.06	56.77
	2750	31.08	36.82	30.86	42.34	30.66	47.86	30.47	53.39	30.28	58.91
	2850	32.31	38.16	32.09	43.88	31.89	49.60	31.70	55.33	31.51	61.05
	2950	33.54	39.50	33.32	45.42	33.12	51.34	32.92	57.27	32.74	63.19
	3050	34.77	40.83	34.55	46.96	34.35	53.09	34.15	59.21	33.97	65.34
	3150	36.00	42.17	35.78	48.50	35.58	54.83	35.38	61.15	35.20	67.48
	3250	37.23	43.51	37.01	50.04	36.80	56.57	36.61	63.09	36.43	69.62
	3350	38.46	44.85	38.24	51.58	38.03	58.31	37.84	65.03	37.66	71.76
3450	39.69	46.19	39.47	53.12	39.26	60.05	39.07	66.98	38.89	73.90	
3550	40.92	47.53	40.70	54.66	40.49	61.79	40.30	68.92	40.12	76.05	

Pressure = mmAq / Qs = m³/min / La = kW / rpm = speed of roots blower

KBKP 150 / Pressure 1000-5000 mmAq

Model	Rpm	1000 mmAq		2000 mmAq		3000 mmAq		4000 mmAq		5000 mmAq	
		Qs	La	Qs	La	Qs	La	Qs	La	Qs	La
KBKP 150	1650	28.40	8.07	27.88	12.91	27.48	17.76	27.15	22.60	26.85	27.44
	1750	30.20	8.56	29.68	13.70	29.28	18.83	28.94	23.97	28.65	29.11
	1850	31.99	9.05	31.47	14.48	31.08	19.91	30.74	25.34	30.44	30.77
	1950	33.79	9.54	33.27	15.26	32.87	20.99	32.54	26.71	32.24	32.43
	2050	35.59	10.03	35.07	16.05	34.67	22.06	34.33	28.08	34.04	34.10
	2150	37.38	10.52	36.86	16.83	36.47	23.14	36.13	29.45	35.83	35.76
	2250	39.18	11.01	38.66	17.61	38.26	24.22	37.93	30.82	37.63	37.42
	2350	40.98	11.50	40.46	18.39	40.06	25.29	39.72	32.19	39.43	39.09
	2450	42.77	11.99	42.26	19.18	41.86	26.37	41.52	33.56	41.23	40.75
	2550	44.57	12.47	44.05	19.96	43.65	27.44	43.32	34.93	43.02	42.41
	2650	46.37	12.96	45.85	20.74	45.45	28.52	45.12	36.30	44.82	44.08
	2750	48.17	13.45	47.65	21.52	47.25	29.60	46.91	37.67	46.62	45.74
	2850	49.96	13.94	49.44	22.31	49.05	30.67	48.71	39.04	48.41	47.40
	2950	51.76	14.43	51.24	23.09	50.84	31.75	50.51	40.41	50.21	49.07
	3050	53.56	14.92	53.04	23.87	52.64	32.82	52.30	41.78	52.01	50.73
	3150	55.35	15.41	54.83	24.66	54.44	33.90	54.10	43.15	53.81	52.39
	3250	57.15	15.90	56.63	25.44	56.23	34.98	55.90	44.52	55.60	54.06
	3350	58.95	16.39	58.43	26.22	58.03	36.05	57.70	45.89	57.40	55.72
3450	60.75	16.88	60.23	27.00	59.83	37.13	59.49	47.26	59.20	57.38	
3550	62.54	17.37	62.02	27.79	61.62	38.21	61.29	48.63	60.99	59.05	

Pressure = mmAq / Qs = m³/min / La = kW / rpm = speed of roots blower



KBKP 150 / Pressure 6000-10000 mmAq

Model	Rpm	6000 mmAq		7000 mmAq		8000 mmAq		9000 mmAq		10000 mmAq	
		Qs	La	Qs	La	Qs	La	Qs	La	Qs	La
KBKP 150	1650	26.58	32.29	26.34	37.13	26.11	41.97	25.89	46.82	25.69	51.66
	1750	28.38	34.24	28.13	39.38	27.90	44.52	27.69	49.65	27.49	54.79
	1850	30.18	36.20	29.93	41.63	29.70	47.06	29.49	52.49	29.28	57.92
	1950	31.97	38.16	31.73	43.88	31.50	49.60	31.28	55.33	31.08	61.05
	2050	33.77	40.11	33.52	46.13	33.30	52.15	33.08	58.17	32.88	64.18
	2150	35.57	42.07	35.32	48.38	35.09	54.69	34.88	61.00	34.67	67.31
	2250	37.36	44.03	37.12	50.63	36.89	57.24	36.67	63.84	36.47	70.44
	2350	39.16	45.98	38.92	52.88	38.69	59.78	38.47	66.68	38.27	73.57
	2450	40.96	47.94	40.71	55.13	40.48	62.32	40.27	69.51	40.07	76.71
	2550	42.76	49.90	42.51	57.38	42.28	64.87	42.07	72.35	41.86	79.84
	2650	44.55	51.85	44.31	59.63	44.08	67.41	43.86	75.19	43.66	82.97
	2750	46.35	53.81	46.10	61.88	45.87	69.95	45.66	78.03	45.46	86.10
	2850	48.15	55.77	47.90	64.13	47.67	72.50	47.46	80.86	47.25	89.23
	2950	49.94	57.72	49.70	66.38	49.47	75.04	49.25	83.70	49.05	92.36
	3050	51.74	59.68	51.49	68.63	51.27	77.59	51.05	86.54	50.85	95.49
	3150	53.54	61.64	53.29	70.88	53.06	80.13	52.85	89.38	52.64	98.62
	3250	55.33	63.60	55.09	73.13	54.86	82.67	54.65	92.21	54.44	101.75
	3350	57.13	65.55	56.89	75.38	56.66	85.22	56.44	95.05	56.24	104.88
3450	58.93	67.51	58.68	77.64	58.45	87.76	58.24	97.89	58.04	108.01	
3550	60.73	69.47	60.48	79.89	60.25	90.31	60.04	100.73	59.83	111.15	

Pressure = mmAq / Qs = m³/min / La = kW / rpm = speed of roots blower



KBKP 200 / Pressure 1000-5000 mmAq

Model	Rpm	1000 mmAq		2000 mmAq		3000 mmAq		4000 mmAq		5000 mmAq	
		Qs	La	Qs	La	Qs	La	Qs	La	Qs	La
KBKP 200	1470	33.69	9.71	32.88	15.53	32.26	21.35	31.74	27.17	31.27	33.00
	1560	35.88	10.30	35.07	16.48	34.44	22.66	33.92	28.84	33.46	35.02
	1650	38.06	10.89	37.25	17.43	36.63	23.97	36.10	30.50	35.64	37.04
	1750	40.49	11.55	39.67	18.49	39.05	25.42	38.53	32.35	38.07	39.28
	1850	42.91	12.21	42.10	19.54	41.48	26.87	40.95	34.20	40.49	41.53
	1950	45.34	12.87	44.52	20.60	43.90	28.32	43.38	36.05	42.92	43.77
	2050	47.76	13.53	46.95	21.66	46.33	29.78	45.80	37.90	45.34	46.02
	2150	50.19	14.19	49.38	22.71	48.75	31.23	48.23	39.74	47.77	48.26
	2250	52.61	14.85	51.80	23.77	51.18	32.68	50.65	41.59	50.19	50.51
	2350	55.04	15.52	54.23	24.82	53.60	34.13	53.08	43.44	52.62	52.75
	2450	57.46	16.18	56.65	25.88	56.03	35.59	55.50	45.29	55.04	55.00
	2550	59.89	16.84	59.08	26.94	58.45	37.04	57.93	47.14	57.47	57.24
	2650	62.31	17.50	61.50	27.99	60.88	38.49	60.36	48.99	59.89	59.49

Pressure = mmAq / Qs = m³/min / La = kW / rpm = speed of roots blower



KBKP 200 / Pressure 6000-10000 mmAq

Model	Rpm	6000 mmAq		7000 mmAq		8000 mmAq		9000 mmAq		10000 mmAq	
		Qs	La	Qs	La	Qs	La	Qs	La	Qs	La
KBKP 200	1470	30.86	38.82	30.47	44.64	30.12	50.47	29.78	56.29	29.46	62.11
	1560	33.04	41.20	32.66	47.38	32.30	53.56	31.96	59.74	31.64	65.92
	1650	35.22	43.57	34.84	50.11	34.48	56.65	34.15	63.18	33.83	69.72
	1750	37.65	46.22	37.26	53.15	36.91	60.08	36.57	67.01	36.25	73.94
	1850	40.07	48.86	39.69	56.18	39.33	63.51	39.00	70.84	38.68	78.17
	1950	42.50	51.50	42.11	59.22	41.76	66.95	41.42	74.67	41.10	82.39
	2050	44.92	54.14	44.54	62.26	44.18	70.38	43.85	78.50	43.53	86.62
	2150	47.35	56.78	46.96	65.30	46.61	73.81	46.27	82.33	45.95	90.85
	2250	49.77	59.42	49.39	68.33	49.03	77.25	48.70	86.16	48.38	95.07
	2350	52.20	62.06	51.82	71.37	51.46	80.68	51.12	89.99	50.80	99.30
	2450	54.62	64.70	54.24	74.41	53.88	84.11	53.55	93.82	53.23	103.52
	2550	57.05	67.34	56.67	77.44	56.31	87.54	55.97	97.65	55.65	107.75
	2650	59.48	69.98	59.09	80.48	58.73	90.98	58.40	101.47	58.08	111.97

Pressure = mmAq / Qs = m³/min / La = kW / rpm = speed of roots blower



KBKP 250 / Pressure 1000-5000 mmAq

Model	Rpm	1000 mmAq		2000 mmAq		3000 mmAq		4000 mmAq		5000 mmAq	
		Qs	La	Qs	La	Qs	La	Qs	La	Qs	La
KBKP 250	1320	60.63	17.17	59.62	27.48	58.84	37.78	58.18	48.08	57.61	58.38
	1390	63.98	18.08	62.96	28.93	62.19	39.78	61.53	50.63	60.95	61.48
	1480	68.28	19.25	67.26	30.81	66.49	42.36	65.83	53.91	65.25	65.46
	1560	72.10	20.29	71.09	32.47	70.31	44.65	69.65	56.82	69.08	69.00
	1650	76.40	21.46	75.39	34.34	74.61	47.22	73.95	60.10	73.38	72.98
	1750	81.18	22.77	80.17	36.43	79.39	50.08	78.73	63.74	78.16	77.40
	1850	85.96	24.07	84.95	38.51	84.17	52.95	83.51	67.39	82.93	81.83
	1950	90.74	25.37	89.73	40.59	88.95	55.81	88.29	71.03	87.71	86.25
	2050	95.52	26.67	94.50	42.67	93.73	58.67	93.07	74.67	92.49	90.67
	2150	100.30	27.97	99.28	44.75	98.51	61.53	97.85	78.31	97.27	95.10

Pressure = mmAq / Qs = m³/min / La = kW / rpm = speed of roots blower



KBKP 250 / Pressure 6000-10000 mmAq

Model	Rpm	6000 mmAq		7000 mmAq		8000 mmAq		9000 mmAq		100000 mmAq	
		Qs	La	Qs	La	Qs	La	Qs	La	Qs	La
KBKP 250	1320	57.08	68.69	56.60	78.99	56.16	89.29	55.74	99.60	55.34	109.90
	1390	60.43	72.33	59.95	83.18	59.50	94.03	59.08	104.88	58.68	115.73
	1480	64.73	77.01	64.25	88.57	63.80	100.12	63.38	111.67	62.99	123.22
	1560	68.55	81.18	68.07	93.35	67.63	105.53	67.21	117.71	66.81	129.88
	1650	72.85	85.86	72.37	98.74	71.93	111.62	71.51	124.50	71.11	137.38
	1750	77.63	91.06	77.15	104.72	76.71	118.38	76.29	132.04	75.89	145.70
	1850	82.41	96.27	81.93	110.71	81.48	125.15	81.06	139.59	80.67	154.03
	1950	87.19	101.47	86.71	116.69	86.26	131.91	85.84	147.13	85.45	162.35
	2050	91.97	106.67	91.49	122.68	91.04	138.68	90.62	154.68	90.23	170.68
	2150	96.75	111.88	96.27	128.66	95.82	145.44	95.40	162.22	95.00	179.00

Pressure = mmAq / Qs = m³/min / La = kW / rpm = speed of roots blower

KBKP 300A / Pressure 1000-10000 mmAq

Model	Rpm	1000 mmAq		2000 mmAq		3000 mmAq		4000 mmAq		5000 mmAq	
		Qs	La	Qs	La	Qs	La	Qs	La	Qs	La
KBKP 300A	1050	64.04	18.21	62.85	29.14	61.94	40.07	61.17	51.00	60.50	61.92
	1110	67.86	19.25	66.67	30.81	65.76	42.36	64.99	53.91	64.32	65.46
	1180	72.32	20.47	71.13	32.75	70.22	45.03	69.46	57.31	68.78	69.59
	1250	76.78	21.68	75.59	34.69	74.68	47.70	73.92	60.71	73.24	73.72
	1320	81.24	22.90	80.05	36.63	79.14	50.37	78.38	64.11	77.70	77.85
	1390	85.70	24.11	84.51	38.58	83.60	53.04	82.84	67.51	82.16	81.97
	1480	91.44	25.67	90.25	41.07	89.34	56.48	88.57	71.88	87.89	87.28
	1560	96.53	27.06	95.35	43.29	94.44	59.53	93.67	75.76	92.99	92.00
	1650	102.27	28.62	101.08	45.79	100.17	62.96	99.40	80.14	98.73	97.31
	1750	108.64	30.35	107.45	48.57	106.54	66.78	105.77	84.99	105.10	103.21
1850	115.01	32.09	113.82	51.34	112.91	70.60	112.15	89.85	111.47	109.10	

Model	Rpm	6000 mmAq		7000 mmAq		8000 mmAq		9000 mmAq		10000 mmAq	
		Qs	La	Qs	La	Qs	La	Qs	La	Qs	La
KBKP 300A	1050	59.88	72.85	59.32	83.78	58.80	94.71	58.31	105.63	57.84	116.56
	1110	63.71	77.01	63.14	88.57	62.62	100.12	62.13	111.67	61.66	123.22
	1180	68.17	81.87	67.60	94.15	67.08	106.43	66.59	118.71	66.12	130.99
	1250	72.63	86.73	72.06	99.74	71.54	112.75	71.05	125.75	70.58	138.76
	1320	77.09	91.58	76.53	105.32	76.00	119.06	75.51	132.80	75.04	146.53
	1390	81.55	96.44	80.99	110.91	80.46	125.37	79.97	139.84	79.50	154.30
	1480	87.28	102.68	86.72	118.09	86.20	133.49	85.70	148.89	85.24	164.30
	1560	92.38	108.24	91.82	124.47	91.29	140.71	90.80	156.94	90.34	173.18
	1650	98.11	114.48	97.55	131.65	97.03	148.82	96.54	166.00	96.07	183.17
	1750	104.49	121.42	103.92	139.63	103.40	157.84	102.91	176.06	102.44	194.27
1850	110.86	128.36	110.30	147.61	109.77	166.86	109.28	186.12	108.82	205.37	

Pressure = mmAq / Qs = m³/min / La = kW / rpm = speed of roots blower

Model	Rpm	-1000 mmAq		-2000 mmAq		-3000 mmAq		-4000 mmAq		-5000 mmAq		-6000 mmAq	
		Qs	La	Qs	La	Qs	La	Qs	La	Qs	La	Qs	La
KBKV 65	1950	2.73	0.96	2.56	1.46	2.41	1.96	2.26	2.46	2.08	2.96	1.60	3.46
	2050	2.88	1.01	2.72	1.54	2.57	2.06	2.41	2.58	2.24	3.11	1.75	3.63
	2150	3.04	1.06	2.88	1.61	2.73	2.16	2.57	2.71	2.39	3.26	1.91	3.81
	2250	3.20	1.11	3.03	1.69	2.88	2.26	2.73	2.84	2.55	3.41	2.07	3.99
	2350	3.35	1.16	3.19	1.76	3.04	2.36	2.88	2.96	2.71	3.56	2.22	4.17
	2450	3.51	1.21	3.35	1.83	3.20	2.46	3.04	3.09	2.86	3.72	2.38	4.34
	2550	3.67	1.26	3.50	1.91	3.35	2.56	3.20	3.22	3.02	3.87	2.54	4.52
	2650	3.82	1.31	3.66	1.98	3.51	2.66	3.35	3.34	3.18	4.02	2.69	4.70
	2750	3.98	1.36	3.82	2.06	3.67	2.76	3.51	3.47	3.34	4.17	2.85	4.88
	2850	4.14	1.40	3.97	2.13	3.82	2.86	3.67	3.59	3.49	4.32	3.01	5.05
	2950	4.29	1.45	4.13	2.21	3.98	2.96	3.82	3.72	3.65	4.48	3.16	5.23
	3050	4.45	1.50	4.29	2.28	4.14	3.07	3.98	3.85	3.81	4.63	3.32	5.41
	3150	4.61	1.55	4.44	2.36	4.29	3.17	4.14	3.97	3.96	4.78	3.48	5.59
	3250	4.76	1.60	4.60	2.43	4.45	3.27	4.29	4.10	4.12	4.93	3.63	5.76
	3350	4.92	1.65	4.76	2.51	4.61	3.37	4.45	4.22	4.28	5.08	3.79	5.94
3450	5.08	1.70	4.91	2.58	4.76	3.47	4.61	4.35	4.43	5.23	3.95	6.12	

Model	Rpm	-1000 mmAq		-2000 mmAq		-3000 mmAq		-4000 mmAq		-5000 mmAq		-6000 mmAq	
		Qs	La	Qs	La	Qs	La	Qs	La	Qs	La	Qs	La
KBKV 80	1950	4.67	1.40	4.45	2.23	4.26	3.06	4.05	3.89	3.83	4.73	3.55	5.56
	2050	4.93	1.47	4.71	2.35	4.52	3.22	4.32	4.09	4.09	4.97	3.82	5.84
	2150	5.19	1.54	4.98	2.46	4.78	3.38	4.58	4.29	4.35	5.21	4.08	6.13
	2250	5.45	1.61	5.24	2.57	5.04	3.53	4.84	4.49	4.61	5.45	4.34	6.41
	2350	5.71	1.69	5.50	2.69	5.30	3.69	5.10	4.69	4.87	5.70	4.60	6.70
	2450	5.97	1.76	5.76	2.80	5.56	3.85	5.36	4.89	5.13	5.94	4.86	6.98
	2550	6.23	1.83	6.02	2.92	5.82	4.01	5.62	5.09	5.39	6.18	5.12	7.27
	2650	6.49	1.90	6.28	3.03	6.09	4.16	5.88	5.29	5.66	6.42	5.38	7.55
	2750	6.76	1.97	6.54	3.15	6.35	4.32	6.14	5.49	5.92	6.67	5.64	7.84
	2850	7.02	2.04	6.80	3.26	6.61	4.48	6.41	5.69	6.18	6.91	5.91	8.12
	2950	7.28	2.12	7.07	3.37	6.87	4.63	6.67	5.89	6.44	7.15	6.17	8.41
	3050	7.54	2.19	7.33	3.49	7.13	4.79	6.93	6.09	6.70	7.39	6.43	8.69
	3150	7.80	2.26	7.59	3.60	7.39	4.95	7.19	6.29	6.96	7.64	6.69	8.98
	3250	8.06	2.33	7.85	3.72	7.65	5.10	7.45	6.49	7.22	7.88	6.95	9.27
	3350	8.32	2.40	8.11	3.83	7.91	5.26	7.71	6.69	7.48	8.12	7.21	9.55
	3450	8.58	2.47	8.37	3.95	8.18	5.42	7.97	6.89	7.75	8.36	7.47	9.84
	3550	8.85	2.55	8.63	4.06	8.44	5.58	8.23	7.09	8.01	8.61	7.73	10.12
	3650	9.11	2.62	8.89	4.18	8.70	5.73	8.50	7.29	8.27	8.85	8.00	10.41
	3750	9.37	2.69	9.16	4.29	8.96	5.89	8.76	7.49	8.53	9.09	8.26	10.69
	3850	9.63	2.76	9.42	4.40	9.22	6.05	9.02	7.69	8.79	9.33	8.52	10.98
3950	9.89	2.83	9.68	4.52	9.48	6.20	9.28	7.89	9.05	9.58	8.78	11.26	
4050	10.15	2.90	9.94	4.63	9.74	6.36	9.54	8.09	9.31	9.82	9.04	11.55	
4150	10.41	2.98	10.20	4.75	10.00	6.52	9.80	8.29	9.57	10.06	9.30	11.83	
4250	10.67	3.05	10.46	4.86	10.27	6.68	10.06	8.49	9.84	10.30	9.56	12.12	
4350	10.94	3.12	10.72	4.98	10.53	6.83	10.32	8.69	10.10	10.54	9.82	12.40	

Pressure = mmAq / Qs = m³/min / La = kW / rpm = speed of roots blower

KBKV / Vacuum -1000 to -6000 mmAq

Model	Rpm	-1000 mmAq		-2000 mmAq		-3000 mmAq		-4000 mmAq		-5000 mmAq		-6000 mmAq	
		Qs	La	Qs	La	Qs	La	Qs	La	Qs	La	Qs	La
KBKV 100	2050	9.19	2.67	8.88	4.28	8.59	5.88	8.29	7.49	7.95	9.09	7.55	10.70
	2150	9.67	2.81	9.36	4.49	9.07	6.17	8.77	7.85	8.43	9.54	8.03	11.22
	2250	10.15	2.94	9.84	4.70	9.55	6.46	9.25	8.22	8.91	9.98	8.51	11.74
	2350	10.63	3.07	10.32	4.91	10.03	6.75	9.73	8.59	9.39	10.43	8.99	12.27
	2450	11.11	3.20	10.79	5.11	10.50	7.03	10.20	8.95	9.87	10.87	9.47	12.79
	2550	11.59	3.33	11.27	5.32	10.98	7.32	10.68	9.32	10.35	11.31	9.95	13.31
	2650	12.07	3.46	11.75	5.53	11.46	7.61	11.16	9.68	10.83	11.76	10.42	13.83
	2750	12.55	3.59	12.23	5.74	11.94	7.89	11.64	10.05	11.31	12.20	10.90	14.35
	2850	13.03	3.72	12.71	5.95	12.42	8.18	12.12	10.41	11.79	12.64	11.38	14.87
	2950	13.51	3.85	13.19	6.16	12.90	8.47	12.60	10.78	12.27	13.09	11.86	15.40
	3050	13.99	3.98	13.67	6.37	13.38	8.76	13.08	11.14	12.74	13.53	12.34	15.92
	3150	14.46	4.11	14.15	6.58	13.86	9.04	13.56	11.51	13.22	13.97	12.82	16.44
	3750	17.34	4.89	17.03	7.83	16.74	10.76	16.44	13.70	16.10	16.64	15.70	19.57
	3850	17.82	5.02	17.51	8.04	17.22	11.05	16.92	14.07	16.58	17.08	16.18	20.09
	3950	18.30	5.15	17.98	8.25	17.69	11.34	17.39	14.43	17.06	17.52	16.66	20.62
4050	18.78	5.28	18.46	8.46	18.17	11.63	17.87	14.80	17.54	17.97	17.13	21.14	

Model	Rpm	-1000 mmAq		-2000 mmAq		-3000 mmAq		-4000 mmAq		-5000 mmAq		-6000 mmAq	
		Qs	La	Qs	La	Qs	La	Qs	La	Qs	La	Qs	La
KBKV 125	2050	11.57	3.34	11.21	5.35	10.89	7.36	10.55	9.36	10.17	11.37	9.72	13.37
	2150	12.17	3.51	11.81	5.61	11.49	7.71	11.15	9.82	10.77	11.92	10.32	14.03
	2250	12.77	3.67	12.41	5.87	12.09	8.07	11.75	10.28	11.37	12.48	10.91	14.68
	2350	13.37	3.83	13.01	6.13	12.68	8.43	12.35	10.73	11.97	13.03	11.51	15.33
	2450	13.96	4.00	13.61	6.39	13.28	8.79	12.95	11.19	12.57	13.59	12.11	15.98
	2550	14.56	4.16	14.21	6.65	13.88	9.15	13.54	11.65	13.17	14.14	12.71	16.64
	2650	15.16	4.32	14.81	6.92	14.48	9.51	14.14	12.10	13.77	14.70	13.31	17.29
	2750	15.76	4.49	15.41	7.18	15.08	9.87	14.74	12.56	14.36	15.25	13.91	17.94
	2850	16.36	4.65	16.01	7.44	15.68	10.23	15.34	13.02	14.96	15.80	14.51	18.59
	2950	16.96	4.81	16.61	7.70	16.28	10.59	15.94	13.47	15.56	16.36	15.11	19.25
	3050	17.56	4.97	17.21	7.96	16.88	10.94	16.54	13.93	16.16	16.91	15.71	19.90
	3150	18.16	5.14	17.80	8.22	17.48	11.30	17.14	14.39	16.76	17.47	16.31	20.55
	3250	18.76	5.30	18.40	8.48	18.08	11.66	17.74	14.84	17.36	18.02	16.91	21.20
	3350	19.36	5.46	19.00	8.74	18.68	12.02	18.34	15.30	17.96	18.58	17.51	21.86
	3450	19.96	5.63	19.60	9.00	19.28	12.38	18.94	15.76	18.56	19.13	18.10	22.51
3550	20.56	5.79	20.20	9.26	19.87	12.74	19.54	16.21	19.16	19.69	18.70	23.16	

Pressure = mmAq / Qs = m³/min / La = kW / rpm = speed of roots blower



Model	Rpm	-1000 mmAq		-2000 mmAq		-3000 mmAq		-4000 mmAq		-5000 mmAq		-6000 mmAq	
		Qs	La	Qs	La	Qs	La	Qs	La	Qs	La	Qs	La
KBKV 150A	1650	19.11	5.52	18.53	8.84	17.99	12.15	17.44	15.46	16.82	18.78	16.07	22.09
	1750	20.34	5.86	19.76	9.37	19.22	12.89	18.67	16.40	18.05	19.92	17.30	23.43
	1850	21.57	6.19	20.99	9.91	20.45	13.62	19.90	17.34	19.28	21.05	18.53	24.77
	1950	22.80	6.53	22.22	10.44	21.68	14.36	21.13	18.28	20.50	22.19	19.76	26.11
	2050	24.03	6.86	23.45	10.98	22.91	15.10	22.36	19.21	21.73	23.33	20.99	27.45
	2150	25.26	7.20	24.68	11.51	24.14	15.83	23.59	20.15	22.96	24.47	22.22	28.79
	2250	26.49	7.53	25.91	12.05	25.37	16.57	24.82	21.09	24.19	25.61	23.45	30.12
	2350	27.72	7.87	27.14	12.59	26.60	17.30	26.04	22.02	25.42	26.74	24.68	31.46
	2450	28.95	8.20	28.37	13.12	27.83	18.04	27.27	22.96	26.65	27.88	25.91	32.80
	2550	30.18	8.54	29.60	13.66	29.06	18.78	28.50	23.90	27.88	29.02	27.14	34.14
	2650	31.41	8.87	30.83	14.19	30.29	19.51	29.73	24.84	29.11	30.16	28.36	35.48
	2750	32.64	9.20	32.06	14.73	31.52	20.25	30.96	25.77	30.34	31.30	29.59	36.82
	2850	33.87	9.54	33.29	15.26	32.75	20.99	32.19	26.71	31.57	32.43	30.82	38.16
	2950	35.10	9.87	34.52	15.80	33.98	21.72	33.42	27.65	32.80	33.57	32.05	39.50
	3050	36.33	10.21	35.74	16.33	35.21	22.46	34.65	28.58	34.03	34.71	33.28	40.83
	3150	37.56	10.54	36.97	16.87	36.44	23.20	35.88	29.52	35.26	35.85	34.51	42.17
	3250	38.79	10.88	38.20	17.41	37.67	23.93	37.11	30.46	36.49	36.99	35.74	43.51
3350	40.02	11.21	39.43	17.94	38.90	24.67	38.34	31.40	37.72	38.12	36.97	44.85	
3450	41.25	11.55	40.66	18.48	40.13	25.40	39.57	32.33	38.95	39.26	38.20	46.19	
3550	42.48	11.88	41.89	19.01	41.36	26.14	40.80	33.27	40.18	40.40	39.43	47.53	

Model	Rpm	-1000 mmAq		-2000 mmAq		-3000 mmAq		-4000 mmAq		-5000 mmAq		-6000 mmAq	
		Qs	La	Qs	La	Qs	La	Qs	La	Qs	La	Qs	La
KBKV 150	1650	28.33	8.07	27.68	12.91	27.08	17.76	26.45	22.60	25.75	27.44	24.91	32.29
	1750	30.13	8.56	29.48	13.70	28.87	18.83	28.25	23.97	27.55	29.11	26.71	34.24
	1850	31.93	9.05	31.27	14.48	30.67	19.91	30.05	25.34	29.35	30.77	28.51	36.20
	1950	33.72	9.54	33.07	15.26	32.47	20.99	31.84	26.71	31.14	32.43	30.31	38.16
	2050	35.52	10.03	34.87	16.05	34.26	22.06	33.64	28.08	32.94	34.10	32.10	40.11
	2150	37.32	10.52	36.66	16.83	36.06	23.14	35.44	29.45	34.74	35.76	33.90	42.07
	2250	39.12	11.01	38.46	17.61	37.86	24.22	37.23	30.82	36.53	37.42	35.70	44.03
	2350	40.91	11.50	40.26	18.39	39.65	25.29	39.03	32.19	38.33	39.09	37.49	45.98
	2450	42.71	11.99	42.05	19.18	41.45	26.37	40.83	33.56	40.13	40.75	39.29	47.94
	2550	44.51	12.47	43.85	19.96	43.25	27.44	42.62	34.93	41.93	42.41	41.09	49.90
	2650	46.30	12.96	45.65	20.74	45.05	28.52	44.42	36.30	43.72	44.08	42.88	51.85
	2750	48.10	13.45	47.45	21.52	46.84	29.60	46.22	37.67	45.52	45.74	44.68	53.81
	2850	49.90	13.94	49.24	22.31	48.64	30.67	48.02	39.04	47.32	47.40	46.48	55.77
	2950	51.69	14.43	51.04	23.09	50.44	31.75	49.81	40.41	49.11	49.07	48.28	57.72
	3050	53.49	14.92	52.84	23.87	52.23	32.82	51.61	41.78	50.91	50.73	50.07	59.68
	3150	55.29	15.41	54.63	24.66	54.03	33.90	53.41	43.15	52.71	52.39	51.87	61.64
	3250	57.09	15.90	56.43	25.44	55.83	34.98	55.20	44.52	54.51	54.06	53.67	63.60
3350	58.88	16.39	58.23	26.22	57.63	36.05	57.00	45.89	56.30	55.72	55.46	65.55	
3450	60.68	16.88	60.03	27.00	59.42	37.13	58.80	47.26	58.10	57.38	57.26	67.51	
3550	62.48	17.37	61.82	27.79	61.22	38.21	60.59	48.63	59.90	59.05	59.06	69.47	

Pressure = mmAq / Qs = m³/min / La = kW / rpm = speed of roots blower



KBKV / Vacuum -1000 to -6000 mmAq

Model	Rpm	-1000 mmAq		-2000 mmAq		-3000 mmAq		-4000 mmAq		-5000 mmAq		-6000 mmAq	
		Qs	La	Qs	La	Qs	La	Qs	La	Qs	La	Qs	La
KBKV 200	1470	33.59	9.71	32.57	15.53	31.63	21.35	30.65	27.17	29.56	33.00	28.25	38.82
	1560	35.77	10.30	34.75	16.48	33.81	22.66	32.83	28.84	31.74	35.02	30.43	41.20
	1650	37.96	10.89	36.93	17.43	35.99	23.97	35.02	30.50	33.93	37.04	32.62	43.57
	1750	40.38	11.55	39.36	18.49	38.42	25.42	37.44	32.35	36.35	39.28	35.04	46.22
	1850	42.81	12.21	41.79	19.54	40.84	26.87	39.87	34.20	38.78	41.53	37.47	48.86
	1950	45.23	12.87	44.21	20.60	43.27	28.32	42.29	36.05	41.20	43.77	39.89	51.50
	2050	47.66	13.53	46.64	21.66	45.69	29.78	44.72	37.90	43.63	46.02	42.32	54.14
	2150	50.08	14.19	49.06	22.71	48.12	31.23	47.14	39.74	46.05	48.26	44.74	56.78
	2250	52.51	14.85	51.49	23.77	50.54	32.68	49.57	41.59	48.48	50.51	47.17	59.42
	2350	54.93	15.52	53.91	24.82	52.97	34.13	51.99	43.44	50.90	52.75	49.59	62.06
	2450	57.36	16.18	56.34	25.88	55.40	35.59	54.42	45.29	53.33	55.00	52.02	64.70
	2550	59.79	16.84	58.76	26.94	57.82	37.04	56.85	47.14	55.75	57.24	54.44	67.34
	2650	62.21	17.50	61.19	27.99	60.25	38.49	59.27	48.99	58.18	59.49	56.87	69.98

Model	Rpm	-1000 mmAq		-2000 mmAq		-3000 mmAq		-4000 mmAq		-5000 mmAq		-6000 mmAq	
		Qs	La	Qs	La	Qs	La	Qs	La	Qs	La	Qs	La
KBKV 250	1320	60.50	17.17	59.23	27.48	58.05	37.78	56.83	48.08	55.46	58.38	53.83	68.69
	1390	63.85	18.08	62.57	28.93	61.39	39.78	60.17	50.63	58.81	61.48	57.17	72.33
	1480	68.15	19.25	66.87	30.81	65.69	42.36	64.47	53.91	63.11	65.46	61.47	77.01
	1560	71.97	20.29	70.70	32.47	69.52	44.65	68.30	56.82	66.93	69.00	65.29	81.18
	1650	76.28	21.46	75.00	34.34	73.82	47.22	72.60	60.10	71.23	72.98	69.60	85.86
	1750	81.05	22.77	79.77	36.43	78.60	50.08	77.38	63.74	76.01	77.40	74.37	91.06
	1850	85.83	24.07	84.55	38.51	83.38	52.95	82.16	67.39	80.79	81.83	79.15	96.27
	1950	90.61	25.37	89.33	40.59	88.15	55.81	86.93	71.03	85.57	86.25	83.93	101.47
	2050	95.39	26.67	94.11	42.67	92.93	58.67	91.71	74.67	90.35	90.67	88.71	106.67
	2150	100.17	27.97	98.89	44.75	97.71	61.53	96.49	78.31	95.13	95.10	93.49	111.88

Pressure = mmAq / Qs = m³/min / La = kW / rpm = speed of roots blower



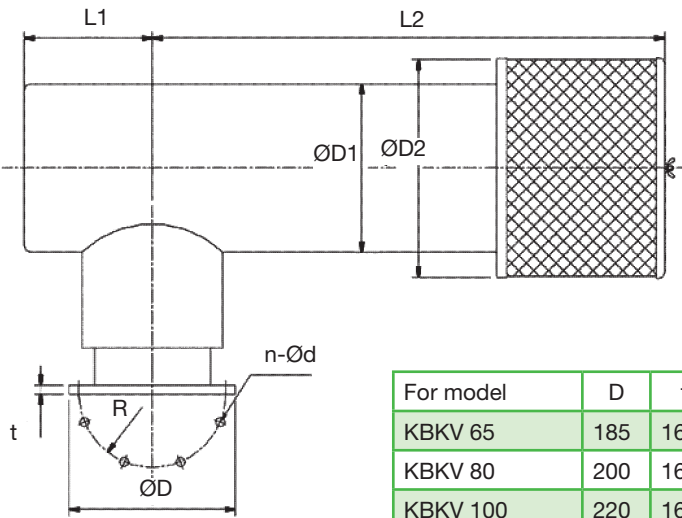
Model	Rpm	-1000 mmAq		-2000 mmAq		-3000 mmAq		-4000 mmAq		-5000 mmAq		-6000 mmAq	
		Qs	La	Qs	La	Qs	La	Qs	La	Qs	La	Qs	La
KBKV 300A	1050	63.89	18.21	62.39	29.14	61.01	40.07	59.58	51.00	57.99	61.92	56.07	72.85
	1110	67.71	19.25	66.21	30.81	64.84	42.36	63.41	53.91	61.81	65.46	59.89	77.01
	1180	72.17	20.47	70.67	32.75	69.30	45.03	67.87	57.31	66.27	69.59	64.35	81.87
	1250	76.63	21.68	75.13	34.69	73.76	47.70	72.33	60.71	70.73	73.72	68.81	86.73
	1320	81.09	22.90	79.59	36.63	78.22	50.37	76.79	64.11	75.19	77.85	73.27	91.58
	1390	85.55	24.11	84.05	38.58	82.68	53.04	81.25	67.51	79.65	81.97	77.73	96.44
	1480	91.29	25.67	89.79	41.07	88.41	56.48	86.98	71.88	85.38	87.28	83.47	102.68
	1560	96.38	27.06	94.89	43.29	93.51	59.53	92.08	75.76	90.48	92.00	88.56	108.24
	1650	102.12	28.62	100.62	45.79	99.24	62.96	97.81	80.14	96.22	97.31	94.30	114.48
	1750	108.49	30.35	106.99	48.57	105.61	66.78	104.19	84.99	102.59	103.21	100.67	121.42
1850	114.86	32.09	113.37	51.34	111.99	70.60	110.56	89.85	108.96	109.10	107.04	128.36	

Model	Rpm	-1000 mmAq		-2000 mmAq		-3000 mmAq		-4000 mmAq		-5000 mmAq		-6000 mmAq	
		Qs	La	Qs	La	Qs	La	Qs	La	Qs	La	Qs	La
KBKV 300	1050	90.98	25.88	88.96	41.40	87.10	56.93	85.16	72.46	83.00	87.98	80.41	103.51
	1110	96.42	27.36	94.39	43.77	92.53	60.18	90.60	76.60	88.44	93.01	85.84	109.42
	1180	102.75	29.08	100.73	46.53	98.86	63.98	96.93	81.43	94.77	98.88	92.18	116.32
	1250	109.09	30.81	107.07	49.29	105.20	67.77	103.27	86.26	101.11	104.74	98.52	123.23
	1320	115.43	32.53	113.40	52.05	111.54	71.57	109.61	91.09	107.45	110.61	104.86	130.13
	1390	121.76	34.26	119.74	54.81	117.88	75.36	115.95	95.92	113.79	116.47	111.19	137.03
	1480	129.91	36.47	127.89	58.36	126.02	80.24	124.09	102.13	121.93	124.01	119.34	145.90
	1560	137.16	38.45	135.13	61.51	133.27	84.58	131.34	107.65	129.18	130.72	126.58	153.79
	1650	145.30	40.66	143.28	65.06	141.42	89.46	139.48	113.86	137.32	138.26	134.73	162.66
	1750	154.36	43.13	152.33	69.01	150.47	94.88	148.54	120.76	146.38	146.64	143.78	172.52
	1850	163.41	45.59	161.39	72.95	159.52	100.31	157.59	127.66	155.43	155.02	152.84	182.37

Pressure = mmAq / Qs = m³/min / La = kW / rpm = speed of roots blower

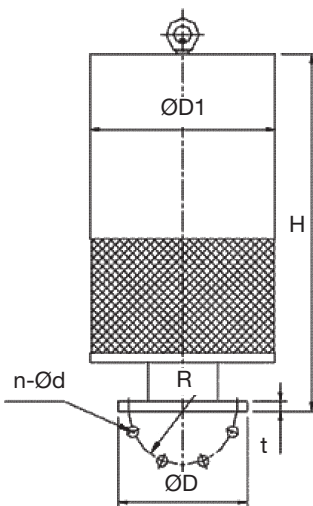
Accessories

Inlet silencer



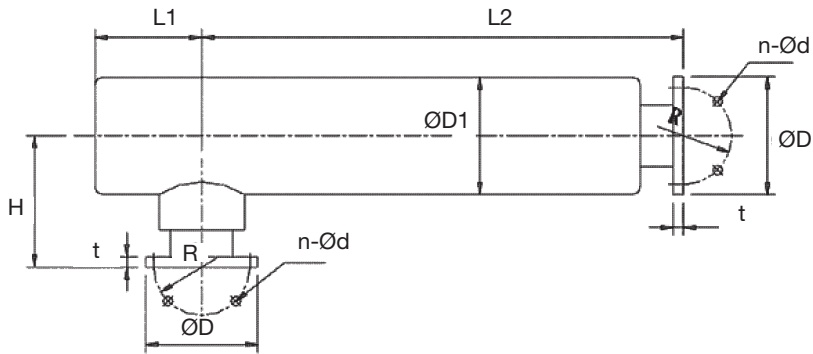
For model	D	t	n	d	R	D1	D2	H	L1	L2
KBKV 65	185	16	4	19	70	165.2	200	240	120	580
KBKV 80	200	16	8	19	75	216.7	250	260	150	650
KBKV 100	220	16	8	19	87.5	240	280	280	180	720
KBKV 125	250	18	8	19	105	280	320	320	200	800
KBKV 150/150A	285	20	8	23	120	300	350	320	250	850
KBKV 200	340	20	8	23	145	400	450	360	300	900
KBKV 250	395	22	12	23	177.5	450	500	400	300	1000
KBKV 300	445	22	12	23	200	450	500	400	350	1050

Inlet silencer type RSL



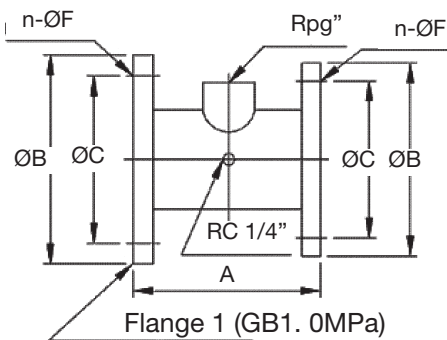
For model	D	t	n	d	R	D1	H
KBKV 65	185	16	4	19	70	240	480
KBKV 80	200	16	8	19	75	270	520
KBKV 100	220	16	8	19	87.5	300	580
KBKV 125	250	18	8	19	105	372	600
KBKV 150/150A	285	20	8	23	120	400	600
KBKV 200	340	20	8	23	145	460	640
KBKV 250	395	22	12	23	177.5	500	640
KBKV 300	445	22	12	23	200	550	680

Outlet silencer



Til model	D	t	n	d	R	D1	H	L1	L2
KBKV 65	175	16	4	19	70	165.2	215	200	800
KBKV 80	185	16	8	19	75	165.2	230	200	900
KBKV 100	210	16	8	19	87.5	219	245	200	900
KBKV 125	250	18	8	23	105	219	260	200	1000
KBKV 150/150A	280	20	8	23	120	285	295	200	1000
KBKV 200	330	20	12	23	145	345	365	200	1100
KBKV 250	400	22	12	25	177.5	400	400	250	1150
KBKV 300	445	22	16	23	200	450	450	250	1250

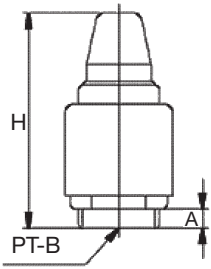
T-joint



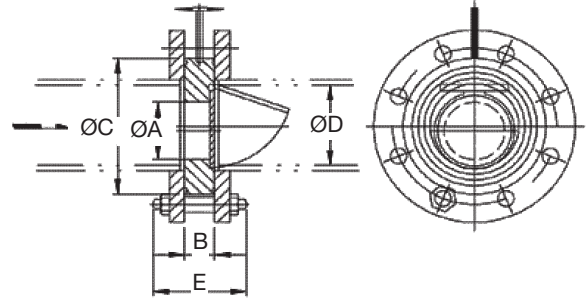
Type	A	ØB	ØC	n-ØF	g	Kg.	For model
KJ 65	150	185	145	4-Ø18	1 1/4"	9.0	KBKV 65
KJ 80	180	200	160	8-Ø18		9.6	KBKV 80
KJ 100		220	180		2"	10.7	KBKV 100
KJ 125	250	250	210	8-Ø22		14.5	KBKV 125
KJ 150		285	240		20.8	KBKV 150/150A	
KJ 200		340	295		26.0	KBKV 200	
KJ 250	300	395	350	12-Ø22	3"	35.0	KBKV 250
KJ 300		445	400			44.7	KBKV 300

Accessories

Relief valve type KV and check valve type KCV

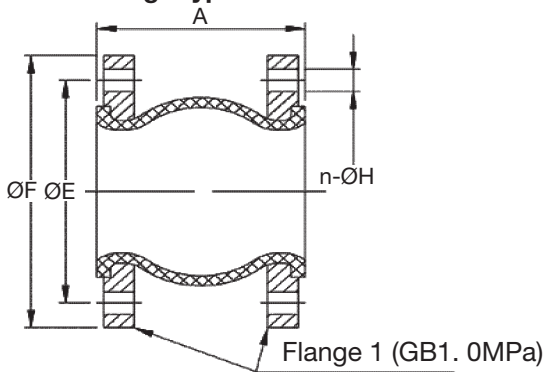


Type	A	H	For model	Kg.
KV 1 1/4	25	150	KBKV 65-80	1.6
KV 2		180	KBKV 100,125,150,/150A	2.5
KV 3	30	250	KBKV 200	5.0
KV 4	25	316	KBKV 250-300	8.5



Type	ØA	B	ØC	ØD	E	Kg.	For model
KCV 65	36	24	124	65.9	108	1.4	KBKV 65
KCV 80	46		134	78.1		1.6	KBKV 80
KCV 100	67		159	102.3		2.3	KBKV 100
KCV 125	88	25	190	126.6	115	3.4	KBKV 125
KCV 150	108	26	220	151		5.0	KBKV 150/150A
KCV 200	138	28	270	200	127	10.0	KBKV 200
KCV 250	185		331	251.4		18.0	KBKV 250
KCV 300	220	30	370	300	150	22.0	KBKV 300

Flexible flange type KVX



Type	A	ØE	ØF	n-ØH	Kg.	For model
KVX 65	115	145	185	4-Ø18	3.5	KBKV 65
KVX 80	135	160	200	8-Ø18	4.0	KBKV 80
KVX 100	150	180	220		5.0	KBKV 100
KVX 125	165	210	250		6.5	KBKV 125
KVX 150	180	240	285	8-Ø22	9.5	KBKV 150/150A
KVX 200	190	295	340		16.0	KBKV 200
KVX 250	230	350	395	12-Ø22	25.0	KBKV 250
KVX 300	250	400	445		42.0	KBKV 300



Side channel blowers and Turboblenders

Download catalogue from www.klee.dk from the group Side Channel Blowers and Turboblenders.



Rotary Vane Pumps

Download catalogue from www.klee.dk from the group Rotary Vane Pumps.



KLEEpump



KLEEpump KSP-Series

Utility / Sump / Effluent / Sewage / Submersible pumps

For industrial use, for construction sites and for home water removal applications.

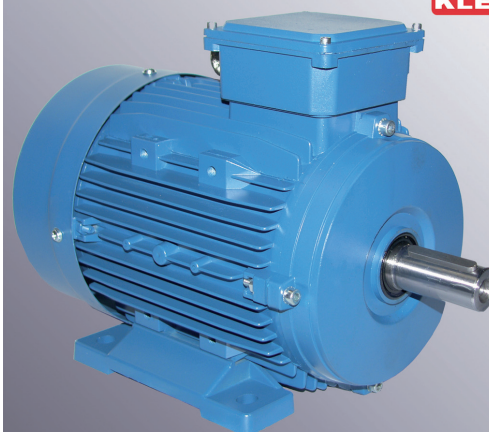
Ask for KLEEpump catalogue or download it at www.klee.dk

KLEEdrive electrical motors

MS series IE1 0,09-15 kW
MS2 Series IE2 0,75-22 kW
T1C Series IE1 0,75-315 kW
T2C Series IE2 0,75-315 kW
T3C Series IE3 0,75-315 kW

Ask for KLEEdrive catalogue or download it at www.klee.dk

KLEEdrive®



Check out:

www.klee.dk

BRD. KLEE ENGINEERING & TRADING COMPANY

Phone +45 4386 8333 · Fax +45 4386 8388 · e-mail: klee@klee.dk · www.klee.dk

Copyright BRD. KLEE A/S. With reservation to misprint - Right to modifications reserved