

## Stainless Steel- Indexing plungers

### Hygienic Design

#### SPECIFICATION

##### Type

- Type **C**: with rest position

##### Identification

- **FH**: Knob side Hygienic Design (front hygiene)
- **VH**: Knob and pin side Hygienic Design (full hygiene)

Stainless Steel

AISI 316 (A4)

Plunger pin case hardened

Spring

Stainless Steel AISI 301

Seals, blue, FDA compliant temperature resistant -25 °C to +110 °C

- Sealing ring, H-NBR, hardness 85 ±5 Shore A
- Wiper, TPU, hardness 95 ±5 Shore A

All moving parts lubricated with FDA-compliant special grease



#### INFORMATION

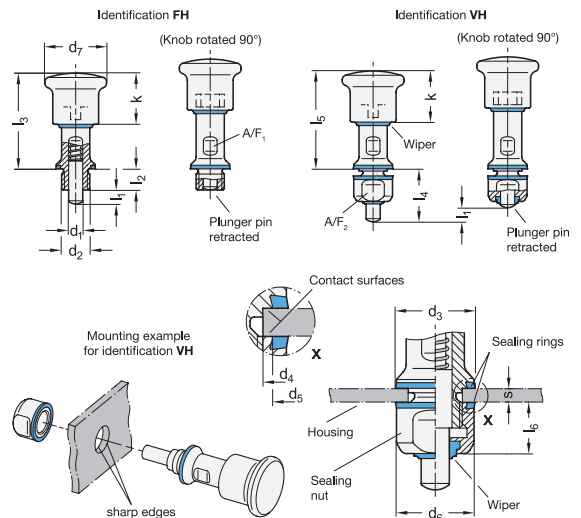
GN 8170 Stainless Steel-Indexing plungers are intended for use in hygienic areas. The wiper between the pin and guide keeps the mechanics sealed, and the high surface quality and dead-space-free mounting prevent dirt from adhering and facilitate cleaning.

The type FH satisfies hygienic requirements on the knob side. For uses in which the bolt is also subject to hygienic requirements, the type VH is used. Mounting holes and through-holes in the housing must be at a right angle, free of burrs and without a chamfer. This ensures that the sealing rings will function after being mounted.

Indexing plungers with a rest position are used for such applications where the plunger has to stay in its retracted position. In that case, the knob is retracted and afterwards turned by 90°. A notch keeps the plunger in this position.

#### TECHNICAL INFORMATION

- ISO-Fundamental Tolerances (see page A21)
- Elastomer characteristics (see page A32)
- Stainless Steel characteristics (see page A26)



#### GN 8170

#### STAINLESS STEEL

Description	d1 Plunger f8 Bore H8	d2	d3	d4 -0.1	d5	d6	d7	l1	l2	l3	l4	l5	l6	k	s	A/F 1	A/F 2	Spring load		
																		in N initial	in N end	
GN 8170-6-C-FH	6	M 12 x 1.5	22.8	-	18	-	35	6	12	49.8	-	-	-	29	-	14	-	20	36	169
GN 8170-6-C-VH	6	M 12 x 1.5	22.8	16	18	22	35	6	-	-	27.5	50.5	14.5	29	1.5... 4	14	18	20	36	199
GN 8170-8-C-FH	8	M 16 x 1.5	22.8	-	18	-	35	8	12	54.3	-	-	-	29	-	14	-	22	32	190
GN 8170-8-C-VH	8	M 16 x 1.5	22.8	16	18	22	35	8	-	-	29.5	55.5	14.5	29	1.5... 4	14	18	22	32	212