

Torque limiting tristar knobs / screws

SPECIFICATION

Knob
 SUPER-Technopolymer
 glass fiber reinforced
 black, matte

Torque limiting mechanism
 Steel, hardened

Other parts
 Steel, blackened

Cover
 Plastic light gray

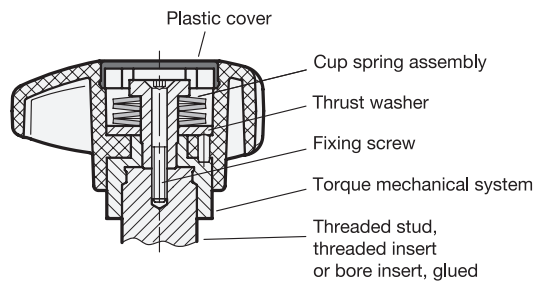
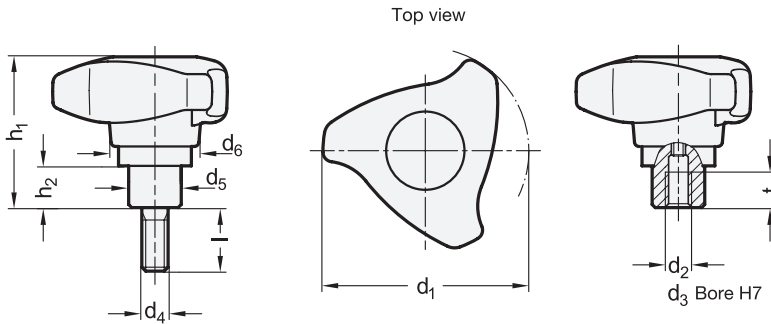
INFORMATION

Torque limiting tristar knobs GN 3664 are used when the torque applied by hand must be set or limited.

When turned clockwise, the torque mechanism of the tristar knob triggers a "slipping" effect after the specified torque is reached. When turned anti-clockwise, the mechanism locks up to disable any torque limiting. This ensures that a maximum permissible torque is not exceeded, while the torque required for loosening is always transmitted reliably.

ON REQUEST

- Other dimensions of bore inserts or threaded inserts analog GN 300 (see page 320)
- Other inserts with special threaded studs analog GN 306 (see page 340)
- Other torques
- Torques limiting turning anti-clockwise or turning anti-clockwise and clockwise





GN 3664-Torque limiting tristar knob

Description	d1	d2	d3	d5	d6	h1	h2	Torque ±10% in Nm	⚖️
GN 3664-50-B6-2	50	-	B 6	13.5	23.6	41.6	10.7	2	62
GN 3664-50-B6-3	50	-	B 6	13.5	23.6	41.6	10.7	3	62
GN 3664-50-B6-4	50	-	B 6	13.5	23.6	41.6	10.7	4	63
GN 3664-50-B8-2	50	-	B 8	13.5	23.6	41.6	10.7	2	57
GN 3664-50-B8-3	50	-	B 8	13.5	23.6	41.6	10.7	3	57
GN 3664-50-B8-4	50	-	B 8	13.5	23.6	41.6	10.7	4	58
GN 3664-50-M6-2	50	M 6	-	13.5	23.6	41.6	10.7	2	62
GN 3664-50-M6-3	50	M 6	-	13.5	23.6	41.6	10.7	3	62
GN 3664-50-M6-4	50	M 6	-	13.5	23.6	41.6	10.7	4	63
GN 3664-50-M8-2	50	M 8	-	13.5	23.6	41.6	10.7	2	60
GN 3664-50-M8-3	50	M 8	-	13.5	23.6	41.6	10.7	3	60
GN 3664-50-M8-4	50	M 8	-	13.5	23.6	41.6	10.7	4	61
GN 3664-63-B10-3.2	63	-	B 10	16	28.1	46.6	12.9	3.2	101
GN 3664-63-B10-4	63	-	B 10	16	28.1	46.6	12.9	4	102
GN 3664-63-B10-4.7	63	-	B 10	16	28.1	46.6	12.9	4.7	103
GN 3664-63-B8-3.2	63	-	B 8	16	28.1	46.6	12.9	3.2	105
GN 3664-63-B8-4	63	-	B 8	16	28.1	46.6	12.9	4	106
GN 3664-63-B8-4.7	63	-	B 8	16	28.1	46.6	12.9	4.7	107
GN 3664-63-M10-3.2	63	M 10	-	16	28.1	46.6	12.9	3.2	101
GN 3664-63-M10-4	63	M 10	-	16	28.1	46.6	12.9	4	102
GN 3664-63-M10-4.7	63	M 10	-	16	28.1	46.6	12.9	4.7	103
GN 3664-63-M8-3.2	63	M 8	-	16	28.1	46.6	12.9	3.2	104
GN 3664-63-M8-4	63	M 8	-	16	28.1	46.6	12.9	4	105
GN 3664-63-M8-4.7	63	M 8	-	16	28.1	46.6	12.9	4.7	106
GN 3664-80-B10-4	80	-	B 10	19	34.1	56.2	16.8	4	173
GN 3664-80-B10-5.5	80	-	B 10	19	34.1	56.2	16.8	5.5	174
GN 3664-80-B10-7.5	80	-	B 10	19	34.1	56.2	16.8	7.5	175
GN 3664-80-B12-4	80	-	B 12	19	34.1	56.2	16.8	4	167
GN 3664-80-B12-5.5	80	-	B 12	19	34.1	56.2	16.8	5.5	168
GN 3664-80-B12-7.5	80	-	B 12	19	34.1	56.2	16.8	7.5	169
GN 3664-80-M10-4	80	M 10	-	19	34.1	56.2	16.8	4	172
GN 3664-80-M10-5.5	80	M 10	-	19	34.1	56.2	16.8	5.5	173
GN 3664-80-M10-7.5	80	M 10	-	19	34.1	56.2	16.8	7.5	174
GN 3664-80-M12-4	80	M 12	-	19	34.1	56.2	16.8	4	167
GN 3664-80-M12-5.5	80	M 12	-	19	34.1	56.2	16.8	5.5	168
GN 3664-80-M12-7.5	80	M 12	-	19	34.1	56.2	16.8	7.5	169

Clamping knobs 2



Clamping knobs 2

GN 3664 screws

Description	d1	d4	l	d6	h1	h2	Torque ±10% in Nm	
GN 3664-50-M10-20-2	50	M 10	20	23.6	41.6	10.7	2	73
GN 3664-50-M10-20-3	50	M 10	20	23.6	41.6	10.7	3	73
GN 3664-50-M10-20-4	50	M 10	20	23.6	41.6	10.7	4	74
GN 3664-50-M10-25-2	50	M 10	25	23.6	41.6	10.7	2	76
GN 3664-50-M10-25-3	50	M 10	25	23.6	41.6	10.7	3	76
GN 3664-50-M10-25-4	50	M 10	25	23.6	41.6	10.7	4	77
GN 3664-50-M10-32-2	50	M 10	32	23.6	41.6	10.7	2	80
GN 3664-50-M10-32-3	50	M 10	32	23.6	41.6	10.7	3	80
GN 3664-50-M10-32-4	50	M 10	32	23.6	41.6	10.7	4	81
GN 3664-50-M10-40-2	50	M 10	40	23.6	41.6	10.7	2	82
GN 3664-50-M10-40-3	50	M 10	40	23.6	41.6	10.7	3	82
GN 3664-50-M10-40-4	50	M 10	40	23.6	41.6	10.7	4	83
GN 3664-50-M10-50-2	50	M 10	50	23.6	41.6	10.7	2	87
GN 3664-50-M10-50-3	50	M 10	50	23.6	41.6	10.7	3	87
GN 3664-50-M10-50-4	50	M 10	50	23.6	41.6	10.7	4	88
GN 3664-50-M8-16-2	50	M 8	16	23.6	41.6	10.7	2	75
GN 3664-50-M8-16-3	50	M 8	16	23.6	41.6	10.7	3	75
GN 3664-50-M8-16-4	50	M 8	16	23.6	41.6	10.7	4	76
GN 3664-50-M8-20-2	50	M 8	20	23.6	41.6	10.7	2	70
GN 3664-50-M8-20-3	50	M 8	20	23.6	41.6	10.7	3	70
GN 3664-50-M8-20-4	50	M 8	20	23.6	41.6	10.7	4	71
GN 3664-50-M8-25-2	50	M 8	25	23.6	41.6	10.7	2	72
GN 3664-50-M8-25-3	50	M 8	25	23.6	41.6	10.7	3	72
GN 3664-50-M8-25-4	50	M 8	25	23.6	41.6	10.7	4	73
GN 3664-50-M8-32-2	50	M 8	32	23.6	41.6	10.7	2	74
GN 3664-50-M8-32-3	50	M 8	32	23.6	41.6	10.7	3	74
GN 3664-50-M8-32-4	50	M 8	32	23.6	41.6	10.7	4	75
GN 3664-50-M8-40-2	50	M 8	40	23.6	41.6	10.7	2	76
GN 3664-50-M8-40-3	50	M 8	40	23.6	41.6	10.7	3	76
GN 3664-50-M8-40-4	50	M 8	40	23.6	41.6	10.7	4	77
GN 3664-63-M10-25-3.2	63	M 10	25	28.1	46.6	12.9	3.2	122
GN 3664-63-M10-25-4	63	M 10	25	28.1	46.6	12.9	4	123
GN 3664-63-M10-25-4.7	63	M 10	25	28.1	46.6	12.9	4.7	124
GN 3664-63-M10-32-3.2	63	M 10	32	28.1	46.6	12.9	3.2	82
GN 3664-63-M10-32-4	63	M 10	32	28.1	46.6	12.9	4	83
GN 3664-63-M10-32-4.7	63	M 10	32	28.1	46.6	12.9	4.7	84
GN 3664-63-M10-40-3.2	63	M 10	40	28.1	46.6	12.9	3.2	129
GN 3664-63-M10-40-4	63	M 10	40	28.1	46.6	12.9	4	130
GN 3664-63-M10-40-4.7	63	M 10	40	28.1	46.6	12.9	4.7	131
GN 3664-63-M10-50-3.2	63	M 10	50	28.1	46.6	12.9	3.2	134
GN 3664-63-M10-50-4	63	M 10	50	28.1	46.6	12.9	4	135
GN 3664-63-M10-50-4.7	63	M 10	50	28.1	46.6	12.9	4.7	136
GN 3664-63-M10-63-3.2	63	M 10	63	28.1	46.6	12.9	3.2	140
GN 3664-63-M10-63-4	63	M 10	63	28.1	46.6	12.9	4	141
GN 3664-63-M10-63-4.7	63	M 10	63	28.1	46.6	12.9	4.7	142
GN 3664-63-M8-25-3.2	63	M 8	25	28.1	46.6	12.9	3.2	116

GN 3664 screws

Description	d1	d4	l	d6	h1	h2	Torque ±10% in Nm	
GN 3664-63-M8-25-4	63	M 8	25	28.1	46.6	12.9	4	117
GN 3664-63-M8-25-4.7	63	M 8	25	28.1	46.6	12.9	4.7	118
GN 3664-63-M8-32-3.2	63	M 8	32	28.1	46.6	12.9	3.2	119
GN 3664-63-M8-32-4	63	M 8	32	28.1	46.6	12.9	4	120
GN 3664-63-M8-32-4.7	63	M 8	32	28.1	46.6	12.9	4.7	121
GN 3664-63-M8-40-3.2	63	M 8	40	28.1	46.6	12.9	3.2	82
GN 3664-63-M8-40-4	63	M 8	40	28.1	46.6	12.9	4	83
GN 3664-63-M8-40-4.7	63	M 8	40	28.1	46.6	12.9	4.7	83
GN 3664-63-M8-50-3.2	63	M 8	50	28.1	46.6	12.9	3.2	126
GN 3664-63-M8-50-4	63	M 8	50	28.1	46.6	12.9	4	127
GN 3664-63-M8-50-4.7	63	M 8	50	28.1	46.6	12.9	4.7	128
GN 3664-63-M8-63-3.2	63	M 8	63	28.1	46.6	12.9	3.2	130
GN 3664-63-M8-63-4	63	M 8	63	28.1	46.6	12.9	4	131
GN 3664-63-M8-63-4.7	63	M 8	63	28.1	46.6	12.9	4.7	132
GN 3664-80-M10-25-4	80	M 10	25	34.1	56.2	16.8	4	194
GN 3664-80-M10-25-5.5	80	M 10	25	34.1	56.2	16.8	5.5	195
GN 3664-80-M10-25-7.5	80	M 10	25	34.1	56.2	16.8	7.5	196
GN 3664-80-M10-32-4	80	M 10	32	34.1	56.2	16.8	4	198
GN 3664-80-M10-32-5.5	80	M 10	32	34.1	56.2	16.8	5.5	199
GN 3664-80-M10-32-7.5	80	M 10	32	34.1	56.2	16.8	7.5	200
GN 3664-80-M10-40-4	80	M 10	40	34.1	56.2	16.8	4	202
GN 3664-80-M10-40-5.5	80	M 10	40	34.1	56.2	16.8	5.5	203
GN 3664-80-M10-40-7.5	80	M 10	40	34.1	56.2	16.8	7.5	204
GN 3664-80-M10-50-4	80	M 10	50	34.1	56.2	16.8	4	208
GN 3664-80-M10-50-5.5	80	M 10	50	34.1	56.2	16.8	5.5	209
GN 3664-80-M10-50-7.5	80	M 10	50	34.1	56.2	16.8	7.5	210
GN 3664-80-M10-63-4	80	M 10	63	34.1	56.2	16.8	4	213
GN 3664-80-M10-63-5.5	80	M 10	63	34.1	56.2	16.8	5.5	214
GN 3664-80-M10-63-7.5	80	M 10	63	34.1	56.2	16.8	7.5	215
GN 3664-80-M12-25-4	80	M 12	25	34.1	56.2	16.8	4	201
GN 3664-80-M12-25-5.5	80	M 12	25	34.1	56.2	16.8	5.5	202
GN 3664-80-M12-25-7.5	80	M 12	25	34.1	56.2	16.8	7.5	203
GN 3664-80-M12-32-4	80	M 12	32	34.1	56.2	16.8	4	205
GN 3664-80-M12-32-5.5	80	M 12	32	34.1	56.2	16.8	5.5	206
GN 3664-80-M12-32-7.5	80	M 12	32	34.1	56.2	16.8	7.5	207
GN 3664-80-M12-40-4	80	M 12	40	34.1	56.2	16.8	4	210
GN 3664-80-M12-40-5.5	80	M 12	40	34.1	56.2	16.8	5.5	211
GN 3664-80-M12-40-7.5	80	M 12	40	34.1	56.2	16.8	7.5	212
GN 3664-80-M12-50-4	80	M 12	50	34.1	56.2	16.8	4	218
GN 3664-80-M12-50-5.5	80	M 12	50	34.1	56.2	16.8	5.5	219
GN 3664-80-M12-50-7.5	80	M 12	50	34.1	56.2	16.8	7.5	220
GN 3664-80-M12-63-4	80	M 12	63	34.1	56.2	16.8	4	227
GN 3664-80-M12-63-5.5	80	M 12	63	34.1	56.2	16.8	5.5	228
GN 3664-80-M12-63-7.5	80	M 12	63	34.1	56.2	16.8	7.5	229